



October 2023

Product
Catalogue

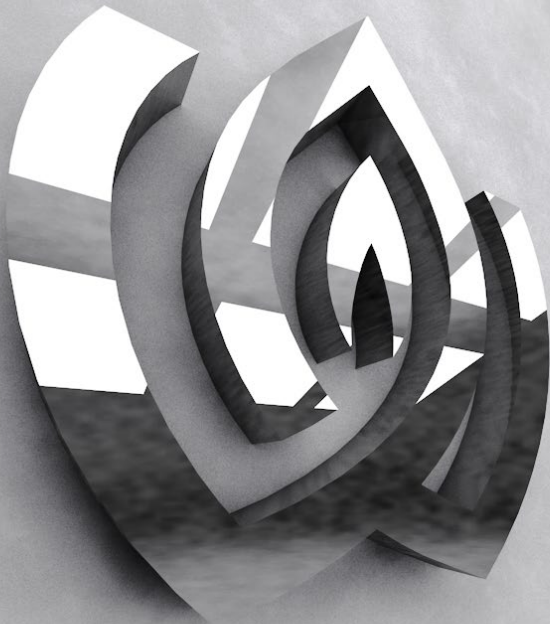
Panel Radiator & Towel Radiator





CONTENT

About Warmhaus	4
Production & Delivery	5
Product Range	8
Standard Panel Radiators	10
Compact Panel Radiators	24
Hygienic Panel Radiators	34
Decorative Panel Radiators	36
Vertical Decorative Panel Radiators	38
Horizontal Decorative Panel Radiators	42
Colorful Panel Radiators	44
Towel Radiators	46
Packaging	51
Accessories	51



About Warmhaus

Warmhaus is an affiliate of Beyçelik Holding which produces boilers, high capacity wall hung condensing boilers, water heaters and steel panel radiators with experience in HVAC industry since 1996.

Warmhaus is amongst the top 10 radiator producers in the world and the top 4 in Turkey and Warmhaus products heat one of every seven houses in Turkey and many in more than +50 countries.

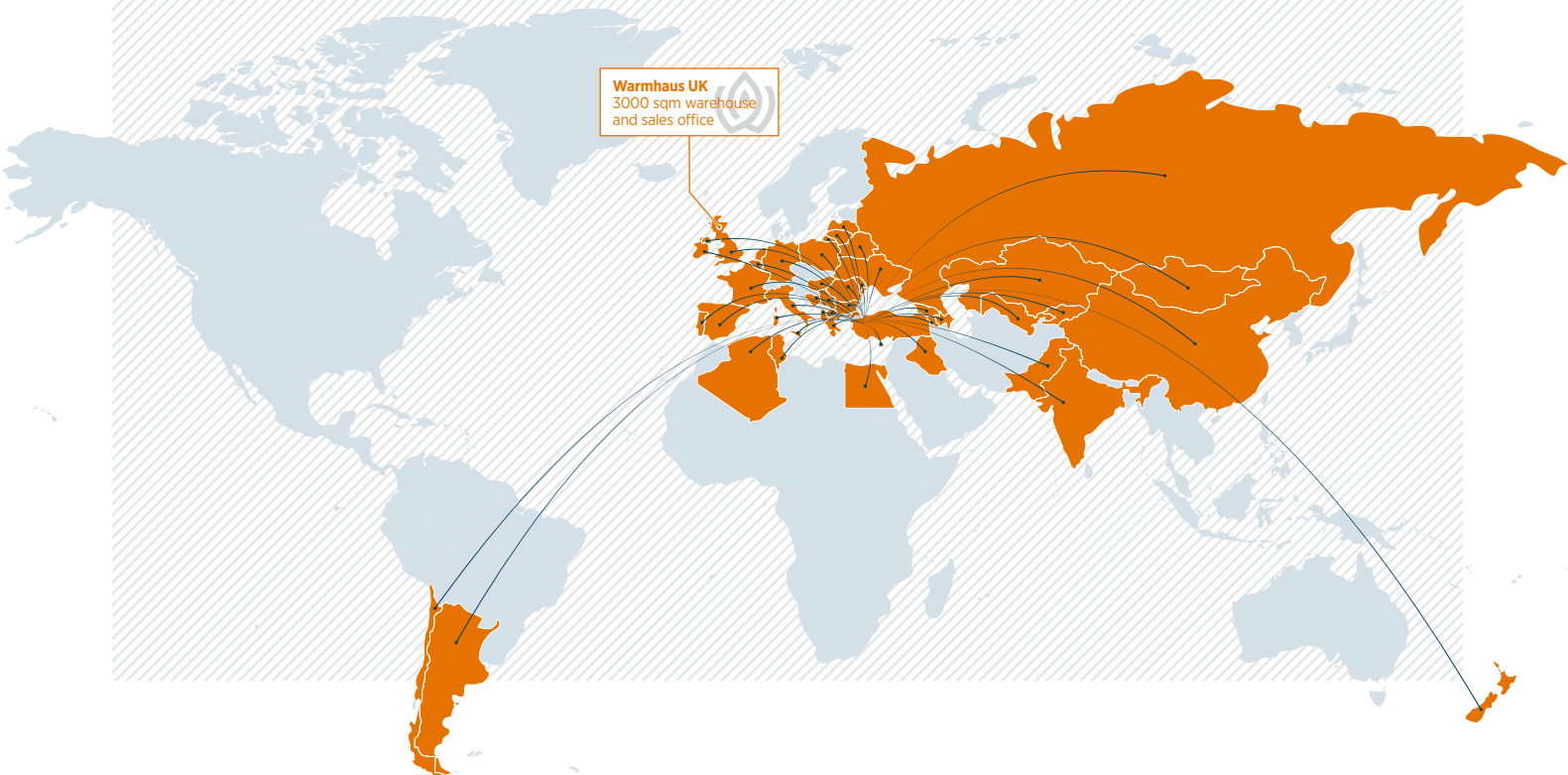
Warmhaus produces boilers, high capacity wall hung condensing boilers, water heaters and steel panel radiators.

Global Heating Brand

Products developed by Warmhaus R&D center are shipped all over the world.

- ▶ Albania
- ▶ Algeria
- ▶ Argentina
- ▶ Azerbaijan
- ▶ Belgium
- ▶ Bosnia
- ▶ Bulgaria
- ▶ Chile
- ▶ China
- ▶ Egypt
- ▶ Estonia
- ▶ France
- ▶ Georgia
- ▶ Germany
- ▶ Greece
- ▶ Hungary
- ▶ India
- ▶ Iraq
- ▶ Ireland
- ▶ Italy
- ▶ Jordan
- ▶ Kazakhstan
- ▶ Kosovo
- ▶ Kyrgyzstan
- ▶ Latvia
- ▶ Lithuania
- ▶ Macedonia
- ▶ Moldova
- ▶ Mongolia
- ▶ Netherlands
- ▶ Northern Cyprus
- ▶ Poland
- ▶ Portugal
- ▶ Romania
- ▶ Russia
- ▶ Serbia
- ▶ Spain
- ▶ Tunisia
- ▶ Turkmenistan
- ▶ Ukraine
- ▶ United Kingdom
- ▶ Uzbekistan

Warmhaus UK
3000 sqm warehouse
and sales office



Production



- More than 500 employees
- 3.600.000 meters annual panel radiator and 222.000 units boiler and high capacity wall hung condensing boilers production capacity
- 41.000 sqm panel radiator and boiler production facilities
- 3 Schlatter and 1 Leas panel radiator manufacturing lines with latest technology
- Water-based premium painting and epoxy polyester powder painting with new nano-tech surface processes
- Fast delivery with high stock capacity and automated shelving system
- Certified by local and international authorities
- All panel radiators are tested under 13 bar



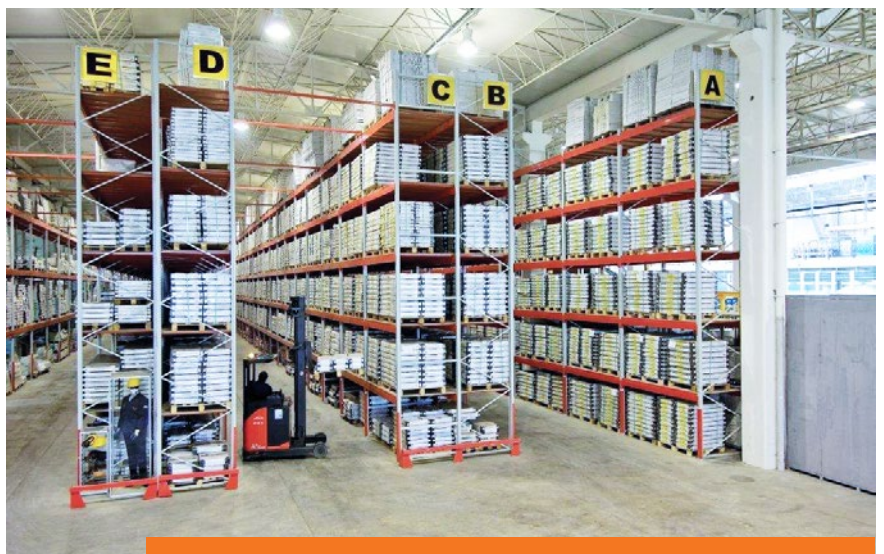
HIGH QUALITY PRODUCTION

Our modern production facility equipped with automated lines provides high-quality products. We have TSE EN ISO 9001:2015, TSE EN 442, ISO 14001:2015, Ukraine Certificate, DIN EN 442, NF Mark (NF-047), CE, EAC, UKCA certificates.



HIGH STOCK & FAST DELIVERY

Fast delivery thanks to the large warehouse with the automated shelving system.

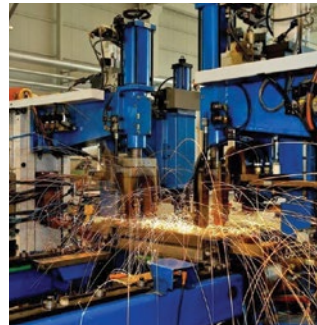




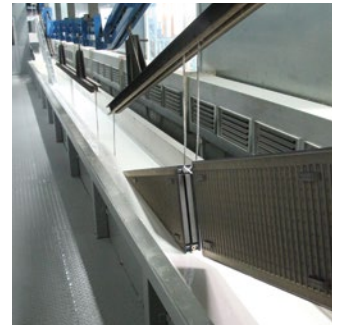
SHEET METAL
SLICING LINE



PANEL
CONVECTOR
PRESS



WELDING
PROCESSS



PAINTING

High Stock | Fast Delivery

DURABLE PACKAGING

All radiators are protected by shrink bubble wrap, plastic corner protectors and side covers. User manual with technical specifications is included in the package. Labels provide all information for identification.



Product Range

PANEL RADIATORS



DECORATIVE RADIATORS



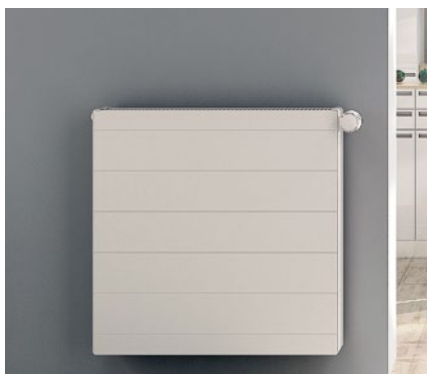
VERTICAL DECORATIVE



TOWEL RADIATORS



ACCESSORIES



HORIZONTAL DECORATIVE



COLORFUL



Standard Panel Radiators



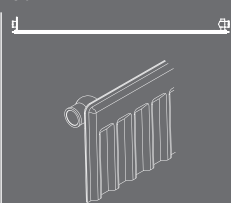
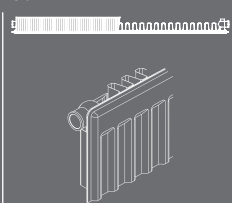
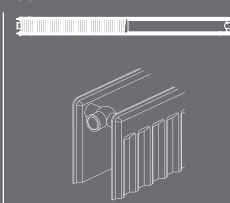
Test Pressure	bar	Max. Operation Pressure	bar	Max. Water Temperature	°C	Warranty	Number of Connection
13		10		110		10	4xDIN 6xDIN

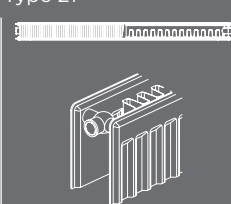
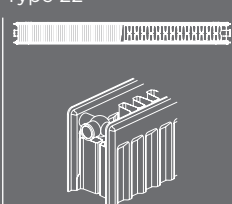
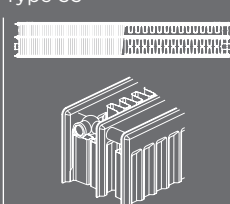
Long-Lasting

Warmhaus radiators are the perfect fit for functionality and elegant look. Thanks to our state-of-the-art production lines, all our products comply with DIN EN 442 standards and have a 10 year warranty. Our aim is to warm you up with a long-lasting product that suits your living environment.

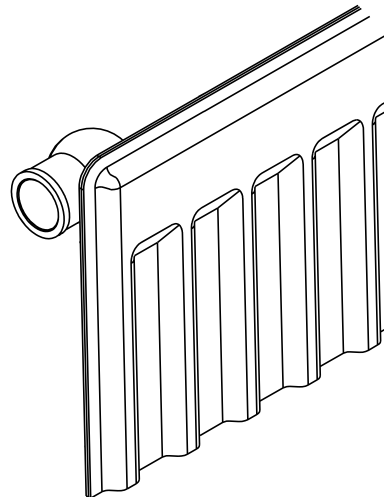
- High Thermal Efficiency
- Elegant Design
- Practical Installation
- Extensive Product Range
- RAL 9010 and RAL 9016 Color



	Type 10	Type 11	Type 20
			
Width (mm)	50	60	70
Height (mm)	300-400-500-600-700-900	300-400-500-600-700-900	300-400-500-600-700-900
Length (mm)	400-3000	400-3000	400-3000

	Type 21	Type 22	Type 33
			
Width (mm)	70	105	160
Height (mm)	300-400-500-600-700-900	300-400-500-600-700-900	300-400-500-600-700-900
Length (mm)	400-3000	400-3000	400-3000

Type 10



Width (mm)	50
Height (mm)	300-400-500-600-700-900
Length (mm)	400-3000

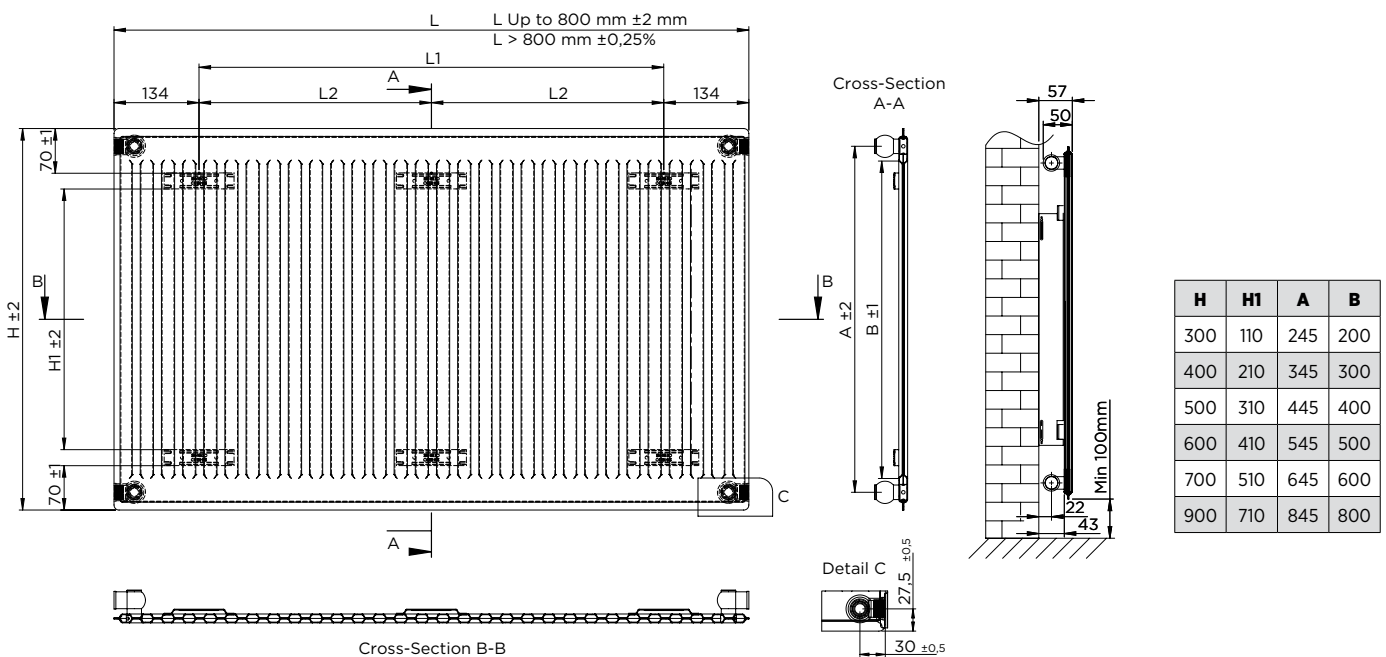
Interval for length [Lengths (mm)] Lengths produced at 100 mm intervals : [400 - 500 - 600 - 700 - 800 - 900 - 1000 - 1100 - 1200 - 1300 - 1400 - 1500 - 1600]
 Lengths produced at 200 mm intervals : [1800 - 2000 - 2200 - 2400 - 2600 - 2800 - 3000]

Type 10		(55 / 45 / 20 °C) ΔT: 30°C						(75 / 65 / 20 °C) ΔT: 50 °C						(90 / 70 / 20 °C) ΔT:60 °C					
		Height						Height						Height					
n-coefficient		1,28	1,28	1,27	1,27	1,27	1,27	1,28	1,28	1,27	1,27	1,27	1,27	1,28	1,28	1,27	1,27	1,27	1,27
Length	Unit	300	400	500	600	700	900	300	400	500	600	700	900	300	400	500	600	700	900
400	Watt	73	92	110	129	146	182	141	177	211	246	280	348	178	223	266	309	352	439
	kcal/h	63	79	95	111	126	157	122	152	182	212	241	300	154	192	230	267	304	378
500	Watt	92	115	138	161	183	228	177	221	264	307	350	435	223	279	333	387	440	548
	kcal/h	79	99	119	138	158	196	152	191	228	265	301	375	192	240	287	333	380	473
600	Watt	110	138	165	193	219	273	212	265	317	368	419	522	267	335	399	464	529	658
	kcal/h	95	119	143	166	189	235	183	229	273	318	362	450	231	288	344	400	456	567
700	Watt	129	161	193	225	256	319	247	309	370	430	489	609	312	390	466	542	617	768
	kcal/h	111	139	166	194	221	275	213	267	319	371	422	525	269	337	402	467	532	662
800	Watt	147	184	221	257	293	364	282	354	422	491	559	696	357	446	533	619	705	877
	kcal/h	127	159	190	222	252	314	243	305	364	423	482	600	307	385	459	534	607	756
900	Watt	165	207	248	289	329	410	318	398	475	553	629	783	401	502	599	696	793	987
	kcal/h	142	179	214	249	284	353	274	343	410	476	542	675	346	433	517	600	683	851
1000	Watt	184	230	276	321	366	455	353	442	528	614	699	870	446	558	666	774	881	1096
	kcal/h	158	199	238	277	315	392	304	381	455	529	603	750	384	481	574	667	759	945
1100	Watt	202	253	303	353	402	501	388	486	581	675	769	957	490	613	732	851	969	1206
	kcal/h	174	218	261	305	347	431	335	419	501	582	663	825	423	529	631	734	835	1040
1200	Watt	220	276	331	386	439	546	424	530	634	737	839	1044	535	669	799	928	1057	1316
	kcal/h	190	238	285	332	378	471	365	457	546	635	723	900	461	577	689	800	911	1134
1300	Watt	239	300	358	418	475	592	459	575	686	798	909	1131	579	725	865	1006	1145	1425
	kcal/h	206	258	309	360	410	510	396	495	592	688	783	975	500	625	746	867	987	1229
1400	Watt	257	323	386	450	512	637	494	619	739	860	979	1218	624	781	932	1083	1233	1535
	kcal/h	222	278	333	388	441	549	426	533	637	741	844	1050	538	673	804	934	1063	1323
1500	Watt	275	346	414	482	549	683	530	663	792	921	1049	1305	669	837	999	1161	1321	1645
	kcal/h	237	298	357	415	473	588	456	572	683	794	904	1125	576	721	861	1000	1139	1418
1600	Watt	294	369	441	514	585	728	565	707	845	982	1118	1392	713	892	1065	1238	1409	1754
	kcal/h	253	318	380	443	504	628	487	610	728	847	964	1200	615	769	918	1067	1215	1512
1800	Watt	331	415	496	578	658	819	635	796	950	1105	1258	1566	802	1004	1198	1393	1586	1974
	kcal/h	285	358	428	499	567	706	548	686	819	953	1085	1350	692	865	1033	1201	1367	1701
2000	Watt	367	461	552	643	731	910	706	884	1056	1228	1398	1740	891	1115	1332	1547	1762	2193
	kcal/h	317	397	475	554	631	784	609	762	910	1059	1205	1500	768	962	1148	1334	1519	1890
2200	Watt	404	507	607	707	805	1001	777	972	1162	1351	1538	1914	981	1227	1465	1702	1938	2412
	kcal/h	348	437	523	609	694	863	669	838	1001	1164	1326	1650	845	1058	1263	1467	1671	2079
2400	Watt	441	553	662	771	878	1092	847	1061	1267	1474	1678	2088	1070	1338	1598	1857	2114	2632
	kcal/h	380	477	571	665	757	941	730	914	1092	1270	1446	1800	922	1154	1377	1601	1822	2269
2600	Watt	478	599	717	835	951	1183	918	1149	1373	1596	1817	2262	1159	1450	1731	2012	2290	2851
	kcal/h	412	516	618	720	820	1020	791	991	1183	1376	1567	1950	999	1250	1492	1734	1974	2458
2800	Watt	514	645	772	900	1024	1274	988	1238	1478	1719	1957	2436	1248	1562	1864	2166	2466	3070
	kcal/h	443	556	666	776	883	1098	852	1067	1274	1482	1687	2100	1076	1346	1607	1867	2126	2647
3000	Watt	551	691	827	964	1097	1365	1059	1326	1584	1842	2097	2610	1337	1673	1997	2321	2643	3289
	kcal/h	475	596	713	831	946	1177	913	1143	1366	1588	1808	2250	1153	1442	1722	2001	2278	2836



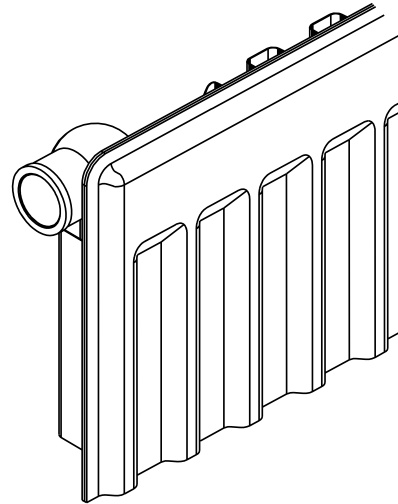
DIMENSIONAL SPECIFICATIONS

Type	Nominal Size (mm)	Center of Distance (mm)	Width (mm)	Length Min. - Max. (mm)	Water Content (L/m)
10 P	300	245	50	400 - 3000	1,86
	400	345	50	400 - 3000	2,3
	500	445	50	400 - 3000	2,85
	600	545	50	400 - 3000	3,4
	700	645	50	400 - 3000	3,96
	900	845	50	400 - 3000	4,94



L	400	500	600	700	800	900	1000	1100	1200	1300	1400	1500	1600	1700	1800	1900	2000	2100	2200	2300	2400	2500	2600	2700	2800	2900	3000
L1	132	232	332	432	532	632	732	832	932	1032	1132	1232	1332	1432	1532	1632	1732	1832	1932	2032	2132	2232	2332	2432	2532	2632	2732
L2															766	816	866	916	966	1016	1066	1116	1166	1216	1266	1316	1366

Type 11



Width (mm)	60
Height (mm)	300-400-500-600-700-900
Length (mm)	400-3000

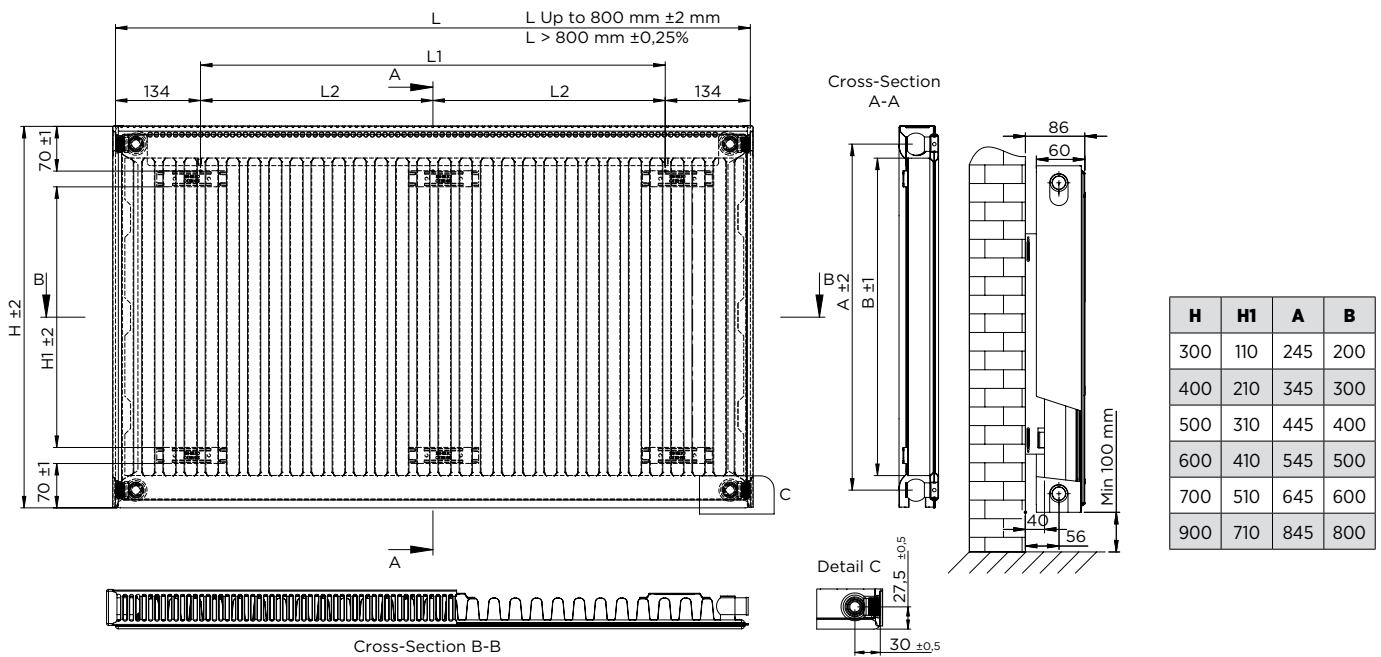
Interval for length [Lengths (mm)] Lengths produced at 100 mm intervals : [400 - 500 - 600 - 700 - 800 - 900 - 1000 - 1100 - 1200 - 1300 - 1400 - 1500 - 1600]
 Lengths produced at 200 mm intervals : [1800 - 2000 - 2200 - 2400 - 2600 - 2800 - 3000]

Type 11		(55 / 45 / 20 °C) ΔT: 30 °C						(75 / 65 / 20 °C) ΔT: 50 °C						(90 / 70 / 20 °C) ΔT:60 °C					
		Height						Height						Height					
n-coefficient		1,27	1,27	1,27	1,27	1,27	1,27	1,27	1,27	1,27	1,27	1,27	1,27	1,27	1,27	1,27	1,27	1,27	1,27
Length	Unit	300	400	500	600	700	900	300	400	500	600	700	900	300	400	500	600	700	900
400	Watt	106	135	163	188	213	257	202	258	311	360	406	491	254	325	392	454	512	619
	kcal/h	91	117	140	162	183	221	174	222	268	310	350	423	219	280	338	391	441	534
500	Watt	132	169	203	236	266	321	253	323	389	450	508	614	318	406	489	567	640	774
	kcal/h	114	146	175	203	229	277	218	278	335	388	438	529	274	350	422	489	552	667
600	Watt	159	203	244	283	319	385	303	387	466	540	610	737	382	487	587	680	768	929
	kcal/h	137	175	210	244	275	332	261	334	402	466	526	635	329	420	506	586	662	801
700	Watt	185	237	285	330	372	449	354	452	544	630	711	860	445	569	685	794	896	1084
	kcal/h	160	204	246	284	321	387	305	389	469	543	613	741	384	490	591	684	773	934
800	Watt	212	270	326	377	425	513	404	516	622	720	813	982	509	650	783	907	1024	1239
	kcal/h	183	233	281	325	367	443	348	445	536	621	701	847	439	560	675	782	883	1068
900	Watt	238	304	366	424	478	577	455	581	699	810	914	1105	572	731	881	1020	1152	1393
	kcal/h	205	262	316	366	412	498	392	500	603	698	788	953	493	630	759	880	993	1201
1000	Watt	265	338	407	471	532	642	505	645	777	900	1016	1228	636	812	979	1134	1280	1548
	kcal/h	228	291	351	406	458	553	435	556	670	776	876	1059	548	700	844	977	1104	1335
1100	Watt	291	372	448	518	585	706	556	710	855	990	1118	1351	700	894	1077	1247	1408	1703
	kcal/h	251	320	386	447	504	608	479	612	737	853	963	1164	603	770	928	1075	1214	1468
1200	Watt	318	405	488	565	638	770	606	774	932	1080	1219	1474	763	975	1175	1361	1536	1858
	kcal/h	274	350	421	487	550	664	522	667	804	931	1051	1270	658	840	1013	1173	1324	1602
1300	Watt	344	439	529	612	691	834	657	839	1010	1170	1321	1596	827	1056	1272	1474	1664	2013
	kcal/h	297	379	456	528	596	719	566	723	871	1009	1139	1376	713	910	1097	1271	1435	1735
1400	Watt	370	473	570	660	744	898	707	903	1088	1260	1422	1719	890	1137	1370	1587	1792	2167
	kcal/h	319	408	491	569	642	774	609	778	938	1086	1226	1482	768	981	1181	1368	1545	1868
1500	Watt	397	507	610	707	797	962	758	968	1166	1350	1524	1842	954	1219	1468	1701	1920	2322
	kcal/h	342	437	526	609	687	830	653	834	1005	1164	1314	1588	822	1051	1266	1466	1656	2002
1600	Watt	423	541	651	754	850	1027	808	1032	1243	1440	1626	1965	1018	1300	1566	1814	2048	2477
	kcal/h	365	466	561	650	733	885	697	890	1072	1241	1401	1694	877	1121	1350	1564	1766	2135
1800	Watt	476	608	732	848	957	1155	909	1161	1399	1620	1829	2210	1145	1462	1762	2041	2305	2787
	kcal/h	411	524	631	731	825	996	784	1001	1206	1397	1577	1906	987	1261	1519	1759	1987	2402
2000	Watt	529	676	814	942	1063	1283	1010	1290	1554	1800	2032	2456	1272	1625	1958	2268	2561	3096
	kcal/h	456	583	702	812	916	1106	871	1112	1340	1552	1752	2117	1097	1401	1688	1955	2207	2669
2200	Watt	582	743	895	1037	1169	1412	1111	1419	1709	1980	2235	2702	1399	1787	2153	2495	2817	3406
	kcal/h	502	641	772	894	1008	1217	958	1223	1474	1707	1927	2329	1206	1541	1856	2150	2428	2936
2400	Watt	635	811	977	1131	1276	1540	1212	1548	1865	2160	2438	2947	1526	1950	2349	2721	3073	3716
	kcal/h	548	699	842	975	1100	1328	1045	1334	1608	1862	2102	2541	1316	1681	2025	2346	2649	3203
2600	Watt	688	878	1058	1225	1382	1668	1313	1677	2020	2340	2642	3193	1654	2112	2545	2948	3329	4025
	kcal/h	593	757	912	1056	1191	1438	1132	1446	1742	2017	2277	2752	1426	1821	2194	2541	2870	3470
2800	Watt	741	946	1139	1319	1488	1797	1414	1806	2176	2520	2845	3438	1781	2275	2741	3175	3585	4335
	kcal/h	639	816	982	1137	1283	1549	1219	1557	1876	2172	2452	2964	1535	1961	2363	2737	3090	3737
3000	Watt	794	1014	1221	1413	1595	1925	1515	1935	2331	2700	3048	3684	1908	2437	2936	3402	3841	4644
	kcal/h	684	874	1052	1218	1375	1659	1306	1668	2009	2328	2628	3176	1645	2101	2531	2932	3311	4004



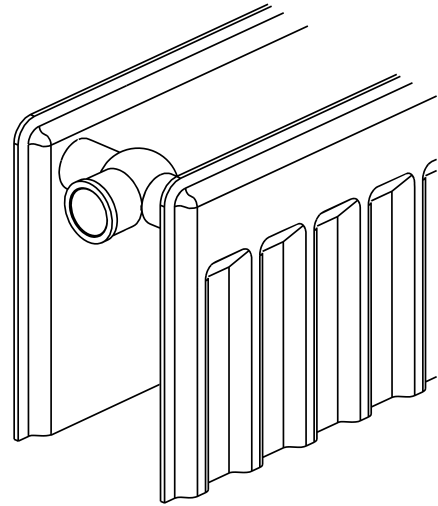
DIMENSIONAL SPECIFICATIONS

Type	Nominal Size (mm)	Center of Distance (mm)	Width (mm)	Length Min. - Max. (mm)	Water Content (L/m)
11 PK	300	245	60	400 - 3000	1,86
	400	345	60	400 - 3000	2,3
	500	445	60	400 - 3000	2,85
	600	545	60	400 - 3000	3,4
	700	645	60	400 - 3000	3,95
	900	845	60	400 - 3000	4,94



L	400	500	600	700	800	900	1000	1100	1200	1300	1400	1500	1600	1700	1800	1900	2000	2100	2200	2300	2400	2500	2600	2700	2800	2900	3000
L1	132	232	332	432	532	632	732	832	932	1032	1132	1232	1332	1432	1532	1632	1732	1832	1932	2032	2132	2232	2332	2432	2532	2632	2732
L2															766	816	866	916	966	1016	1066	1116	1166	1216	1266	1316	1366

Type 20



Width (mm)	70
Height (mm)	300-400-500-600-700-900
Length (mm)	400-3000

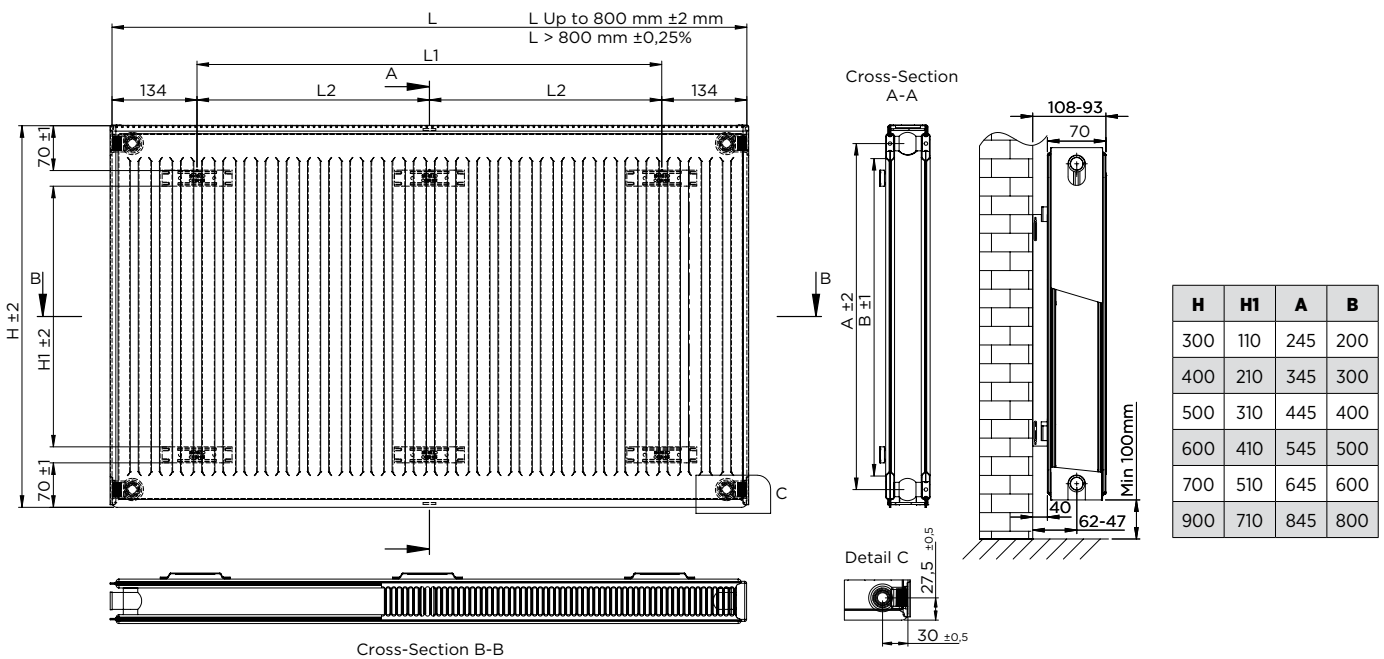
Interval for length [Lengths (mm)] Lengths produced at 100 mm intervals : [400 - 500 - 600 - 700 - 800 - 900 - 1000 - 1100 - 1200 - 1300 - 1400 - 1500 - 1600]
 Lengths produced at 200 mm intervals : [1800 - 2000 - 2200 - 2400 - 2600 - 2800 - 3000]

Type 20		(55 / 45 / 20 °C) ΔT: 30°C						(75 / 65 / 20 °C) ΔT: 50 °C						(90 / 70 / 20 °C) ΔT:60 °C					
		Height						Height						Height					
n-coefficient		1,27	1,28	1,28	1,28	1,28	1,29	1,27	1,28	1,28	1,28	1,28	1,29	1,27	1,28	1,28	1,28	1,28	1,29
Length	Unit	300	400	500	600	700	900	300	400	500	600	700	900	300	400	500	600	700	900
400	Watt	127	160	192	222	251	307	243	307	368	427	483	594	307	388	465	539	609	751
	kcal/h	110	138	165	191	216	265	210	265	318	368	416	512	265	335	401	465	525	647
500	Watt	159	200	240	278	314	384	304	384	461	534	603	742	384	485	582	674	762	939
	kcal/h	137	172	206	239	270	331	262	331	397	460	520	640	331	418	501	581	657	809
600	Watt	191	240	287	333	376	461	365	461	553	641	724	890	460	582	698	809	914	1127
	kcal/h	165	207	248	287	325	397	315	397	476	552	624	768	397	502	602	697	788	971
700	Watt	223	280	335	389	439	538	426	538	645	747	845	1039	537	679	814	944	1067	1314
	kcal/h	192	241	289	335	379	463	367	464	556	644	728	896	463	586	702	814	919	1133
800	Watt	255	320	383	444	502	614	487	615	737	854	965	1187	614	776	931	1079	1219	1502
	kcal/h	219	276	330	383	433	530	420	530	635	736	832	1024	529	669	802	930	1051	1295
900	Watt	286	360	431	500	565	691	548	692	829	961	1086	1336	691	873	1047	1214	1371	1690
	kcal/h	247	310	372	431	487	596	472	596	715	828	936	1151	595	753	903	1046	1182	1457
1000	Watt	318	400	479	555	627	768	609	768	921	1068	1207	1484	767	970	1163	1348	1524	1878
	kcal/h	274	344	413	479	541	662	525	662	794	920	1040	1279	661	836	1003	1162	1314	1619
1100	Watt	350	440	527	611	690	845	670	845	1013	1174	1327	1633	844	1067	1280	1483	1676	2065
	kcal/h	302	379	454	527	595	728	577	729	874	1012	1144	1407	728	920	1103	1279	1445	1781
1200	Watt	382	479	575	666	753	921	730	922	1105	1281	1448	1781	921	1164	1396	1618	1828	2253
	kcal/h	329	413	496	574	649	794	630	795	953	1105	1248	1535	794	1004	1203	1395	1576	1942
1300	Watt	414	519	623	722	816	998	791	999	1198	1388	1568	1929	997	1261	1512	1753	1981	2441
	kcal/h	357	448	537	622	703	861	682	861	1032	1197	1352	1663	860	1087	1304	1511	1708	2104
1400	Watt	445	559	671	777	878	1075	852	1076	1290	1495	1689	2078	1074	1358	1629	1888	2133	2629
	kcal/h	384	482	578	670	757	927	735	927	1112	1289	1456	1791	926	1171	1404	1627	1839	2266
1500	Watt	477	599	719	833	941	1152	913	1153	1382	1602	1810	2226	1151	1455	1745	2023	2285	2816
	kcal/h	411	517	619	718	811	993	787	994	1191	1381	1560	1919	992	1255	1504	1744	1970	2428
1600	Watt	509	639	766	888	1004	1229	974	1229	1474	1708	1930	2375	1228	1552	1861	2157	2438	3004
	kcal/h	439	551	661	766	865	1059	840	1060	1271	1473	1664	2047	1058	1338	1605	1860	2102	2590
1800	Watt	573	719	862	999	1129	1382	1096	1383	1658	1922	2172	2671	1381	1747	2094	2427	2743	3380
	kcal/h	494	620	743	862	974	1192	945	1192	1429	1657	1872	2303	1191	1506	1805	2092	2364	2914
2000	Watt	636	799	958	1111	1255	1536	1217	1537	1842	2135	2413	2968	1535	1941	2327	2697	3047	3755
	kcal/h	549	689	826	957	1082	1324	1049	1325	1588	1841	2080	2559	1323	1673	2006	2325	2627	3237
2200	Watt	700	879	1054	1222	1380	1689	1339	1690	2027	2349	2654	3265	1688	2135	2559	2966	3352	4131
	kcal/h	603	758	909	1053	1190	1456	1154	1457	1747	2025	2288	2815	1455	1840	2206	2557	2890	3561
2400	Watt	764	959	1150	1333	1506	1843	1461	1844	2211	2563	2896	3562	1842	2329	2792	3236	3657	4506
	kcal/h	658	827	991	1149	1298	1589	1259	1590	1906	2209	2496	3071	1588	2008	2407	2790	3152	3885
2600	Watt	827	1039	1246	1444	1631	1996	1583	1998	2395	2776	3137	3859	1995	2523	3025	3506	3962	4882
	kcal/h	713	896	1074	1245	1406	1721	1364	1722	2065	2393	2704	3327	1720	2175	2607	3022	3415	4209
2800	Watt	891	1119	1341	1555	1757	2150	1704	2151	2579	2990	3378	4156	2148	2717	3257	3775	4266	5257
	kcal/h	768	964	1156	1340	1515	1853	1469	1855	2224	2577	2912	3582	1852	2342	2808	3255	3678	4532
3000	Watt	955	1199	1437	1666	1882	2304	1826	2305	2764	3203	3620	4452	2302	2911	3490	4045	4571	5633
	kcal/h	823	1033	1239	1436	1623	1986	1574	1987	2382	2761	3120	3838	1984	2509	3009	3487	3941	4856



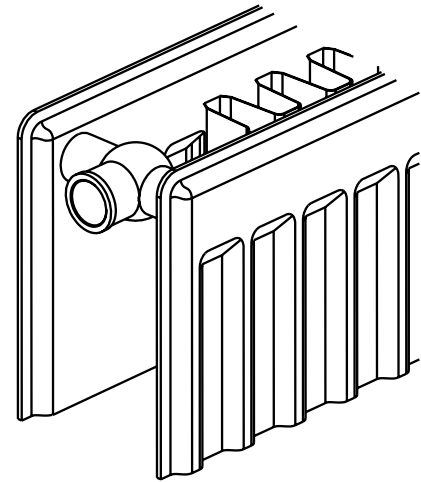
DIMENSIONAL FEATURES

Type	Nominal Size (mm)	Center of Distance (mm)	Width (mm)	Length Min. - Max. (mm)	Water Content (L/m)
20 PP	300	245	70	400 - 3000	3,78
	400	345	70	400 - 3000	4,79
	500	445	70	400 - 3000	5,79
	600	545	70	400 - 3000	6,8
	700	645	70	400 - 3000	7,93
	900	845	70	400 - 3000	10,2



L	400	500	600	700	800	900	1000	1100	1200	1300	1400	1500	1600	1700	1800	1900	2000	2100	2200	2300	2400	2500	2600	2700	2800	2900	3000
L1	132	232	332	432	532	632	732	832	932	1032	1132	1232	1332	1432	1532	1632	1732	1832	1932	2032	2132	2232	2332	2432	2532	2632	2732
L2															766	816	866	916	966	1016	1066	1116	1166	1216	1266	1316	1366

Type 21



Width (mm)	70
Height (mm)	300-400-500-600-700-900
Length (mm)	400-3000

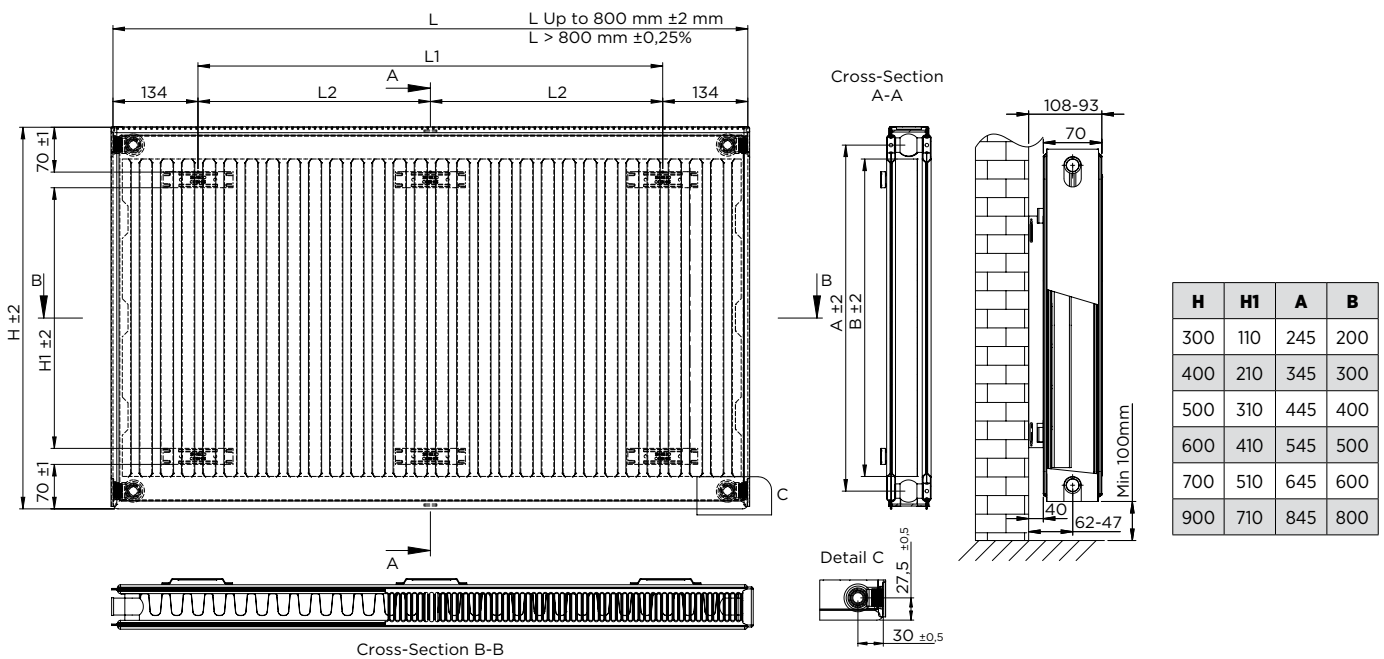
Interval for length [Lengths (mm)] Lengths produced at 100 mm intervals : [400 - 500 - 600 - 700 - 800 - 900 - 1000 - 1100 - 1200 - 1300 - 1400 - 1500 - 1600]
 Lengths produced at 200 mm intervals : [1800 - 2000 - 2200 - 2400 - 2600 - 2800 - 3000]

Type 21		(55 / 45 / 20 °C) ΔT: 30 °C						(75 / 65 / 20 °C) ΔT: 50 °C						(90 / 70 / 20 °C) ΔT: 60 °C					
		Height						Height						Height					
n-coefficient		1,27	1,28	1,29	1,30	1,31	1,32	1,27	1,28	1,29	1,30	1,31	1,32	1,27	1,28	1,29	1,30	1,31	1,32
Length	Unit	300	400	500	600	700	900	300	400	500	600	700	900	300	400	500	600	700	900
400	Watt	159	200	238	275	312	382	306	385	461	535	607	750	385	486	583	678	770	953
	kcal/h	137	172	205	237	269	330	263	332	397	461	523	646	332	419	503	584	664	822
500	Watt	199	250	298	344	390	478	382	481	576	669	759	937	482	608	729	847	963	1191
	kcal/h	172	215	257	297	336	412	329	415	497	576	654	808	415	524	628	730	830	1027
600	Watt	239	300	357	413	468	574	458	577	691	802	911	1124	578	729	875	1017	1156	1430
	kcal/h	206	259	308	356	403	495	395	498	596	692	785	969	498	629	754	876	996	1232
700	Watt	279	350	417	482	545	669	535	673	806	936	1063	1312	675	851	1020	1186	1348	1668
	kcal/h	241	302	360	415	470	577	461	581	695	807	916	1131	581	733	880	1023	1162	1438
800	Watt	319	400	477	551	623	765	611	770	922	1070	1214	1499	771	972	1166	1356	1541	1906
	kcal/h	275	345	411	475	537	659	527	663	794	922	1047	1292	665	838	1005	1169	1328	1643
900	Watt	359	450	536	620	701	860	688	866	1037	1203	1366	1687	867	1094	1312	1525	1733	2144
	kcal/h	309	388	462	534	605	742	593	746	894	1037	1178	1454	748	943	1131	1315	1494	1849
1000	Watt	399	500	596	688	779	956	764	962	1152	1337	1518	1874	964	1215	1458	1694	1926	2383
	kcal/h	344	431	514	593	672	824	659	829	993	1153	1309	1616	831	1048	1257	1461	1660	2054
1100	Watt	439	550	655	757	857	1052	840	1058	1267	1471	1670	2061	1060	1337	1603	1864	2119	2621
	kcal/h	378	474	565	653	739	907	724	912	1092	1268	1439	1777	914	1152	1382	1607	1826	2260
1200	Watt	478	600	715	826	935	1147	917	1154	1382	1604	1822	2249	1156	1458	1749	2033	2311	2859
	kcal/h	412	517	616	712	806	989	790	995	1192	1383	1570	1939	997	1257	1508	1753	1992	2465
1300	Watt	518	650	775	895	1013	1243	993	1251	1498	1738	1973	2436	1253	1580	1895	2203	2504	3098
	kcal/h	447	560	668	771	873	1071	856	1078	1291	1498	1701	2100	1080	1362	1634	1899	2158	2670
1400	Watt	558	700	834	964	1091	1339	1070	1347	1613	1872	2125	2624	1349	1701	2041	2372	2696	3336
	kcal/h	481	603	719	831	940	1154	922	1161	1390	1614	1832	2262	1163	1467	1759	2045	2324	2876
1500	Watt	598	750	894	1033	1169	1434	1146	1443	1728	2006	2277	2811	1445	1823	2187	2542	2889	3574
	kcal/h	516	646	770	890	1008	1236	988	1244	1490	1729	1963	2423	1246	1571	1885	2191	2490	3081
1600	Watt	638	800	953	1101	1247	1530	1222	1539	1843	2139	2429	2998	1542	1944	2332	2711	3082	3812
	kcal/h	550	689	822	949	1075	1319	1054	1327	1589	1844	2094	2585	1329	1676	2011	2337	2656	3287
1800	Watt	718	900	1072	1239	1403	1721	1375	1732	2074	2407	2732	3373	1734	2188	2624	3050	3467	4289
	kcal/h	619	776	924	1068	1209	1484	1186	1493	1788	2075	2356	2908	1495	1886	2262	2629	2989	3697
2000	Watt	797	1000	1192	1377	1558	1912	1528	1924	2304	2674	3036	3748	1927	2431	2915	3389	3852	4766
	kcal/h	687	862	1027	1187	1343	1648	1317	1659	1986	2305	2617	3231	1661	2095	2513	2922	3321	4108
2200	Watt	877	1100	1311	1514	1714	2103	1681	2116	2534	2941	3340	4123	2120	2674	3207	3728	4237	5242
	kcal/h	756	948	1130	1306	1478	1813	1449	1824	2185	2536	2879	3554	1828	2305	2765	3214	3653	4519
2400	Watt	957	1199	1430	1652	1870	2295	1834	2309	2765	3209	3643	4498	2313	2917	3498	4067	4622	5719
	kcal/h	825	1034	1233	1424	1612	1978	1581	1990	2383	2766	3141	3877	1994	2514	3016	3506	3985	4930
2600	Watt	1037	1299	1549	1790	2026	2486	1986	2501	2995	3476	3947	4872	2505	3160	3790	4406	5007	6195
	kcal/h	894	1120	1335	1543	1746	2143	1712	2156	2582	2997	3402	4200	2160	2724	3267	3798	4317	5341
2800	Watt	1116	1399	1668	1927	2182	2677	2139	2694	3226	3744	4250	5247	2698	3403	4081	4745	5393	6672
	kcal/h	962	1206	1438	1662	1881	2308	1844	2322	2781	3227	3664	4523	2326	2933	3519	4090	4649	5752
3000	Watt	1196	1499	1787	2065	2338	2868	2292	2886	3456	4011	4554	5622	2891	3646	4373	5083	5778	7148
	kcal/h	1031	1293	1541	1780	2015	2473	1976	2488	2979	3458	3926	4847	2492	3143	3770	4382	4981	6162



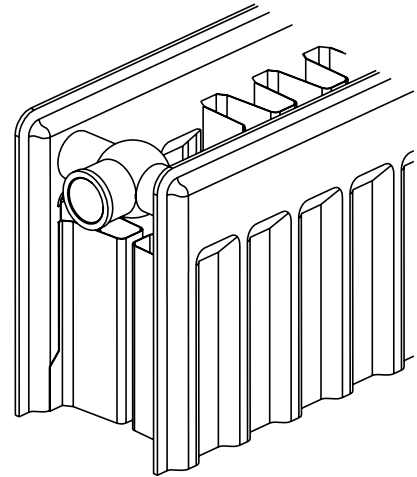
DIMENSIONAL FEATURES

Type	Nominal Size (mm)	Center of Distance (mm)	Width (mm)	Length Min. - Max. (mm)	Water Content (L/m)
21 PKP	300	245	70	400 - 3000	3,78
	400	345	70	400 - 3000	4,79
	500	445	70	400 - 3000	5,79
	600	545	70	400 - 3000	6,8
	700	645	70	400 - 3000	7,93
	900	845	70	400 - 3000	10,2



L	400	500	600	700	800	900	1000	1100	1200	1300	1400	1500	1600	1700	1800	1900	2000	2100	2200	2300	2400	2500	2600	2700	2800	2900	3000
L1	132	232	332	432	532	632	732	832	932	1032	1132	1232	1332	1432	1532	1632	1732	1832	1932	2032	2132	2232	2332	2432	2532	2632	2732
L2															766	816	866	916	966	1016	1066	1116	1166	1216	1266	1316	1366

Type 22



Width (mm)	105
Height (mm)	300-400-500-600-700-900
Length (mm)	400-3000

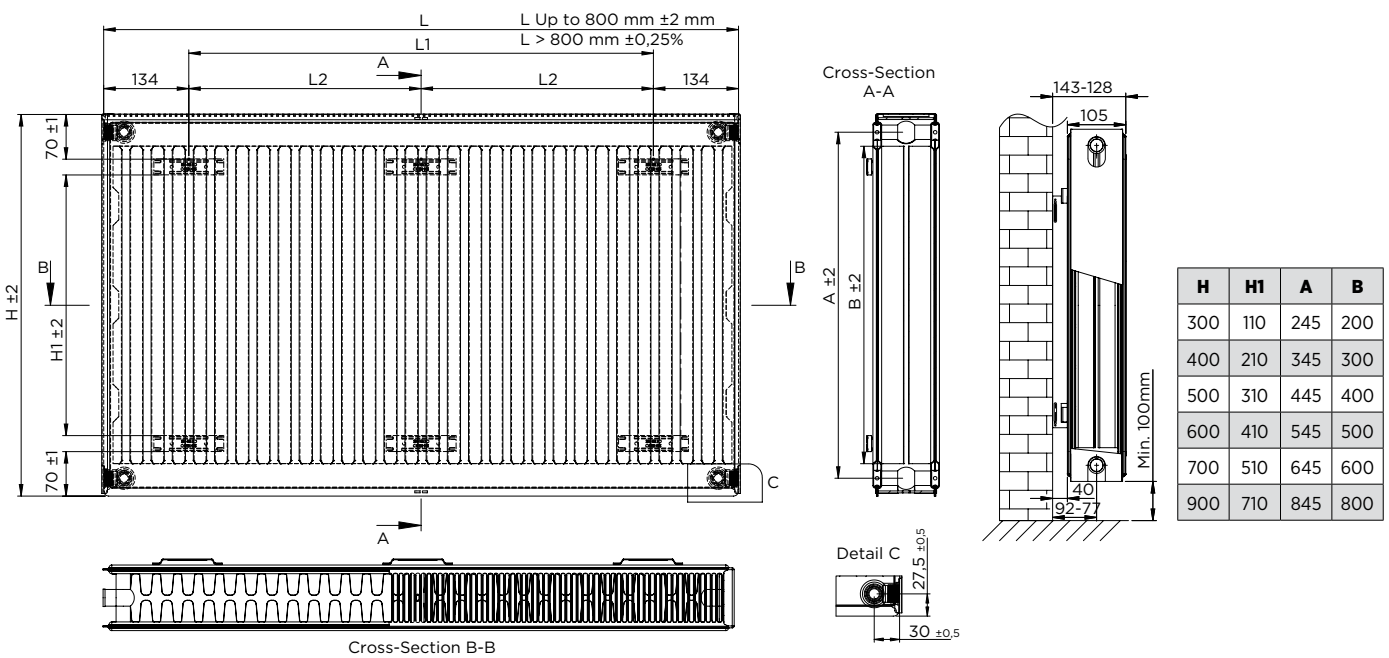
Interval for length : Lengths produced at 100 mm intervals : [400 - 500 - 600 - 700 - 800 - 900 - 1000 - 1100 - 1200 - 1300 - 1400 - 1500 - 1600]
 [Lengths (mm)] : Lengths produced at 200 mm intervals : [1800 - 2000 - 2200 - 2400 - 2600 - 2800 - 3000]

Type 22		(55 / 45 / 20 °C) ΔT: 30 °C						(75 / 65 / 20 °C) ΔT: 50 °C						(90 / 70 / 20 °C) ΔT:60 °C					
		Height						Height						Height					
n-coefficient		1,28	1,29	1,29	1,30	1,31	1,32	1,28	1,29	1,29	1,30	1,31	1,32	1,28	1,29	1,29	1,30	1,31	1,32
Length	Unit	300	400	500	600	700	900	300	400	500	600	700	900	300	400	500	600	700	900
400	Watt	201	254	304	353	402	497	387	490	590	687	784	973	488	620	747	871	994	1237
	kcal/h	173	219	262	305	347	428	333	422	508	592	676	839	421	534	644	751	857	1066
500	Watt	252	317	380	442	502	621	484	613	737	859	980	1216	610	774	933	1089	1243	1546
	kcal/h	217	274	328	381	433	535	417	528	635	741	844	1048	526	668	804	939	1072	1333
600	Watt	302	381	457	530	603	745	580	735	884	1031	1175	1459	733	929	1120	1307	1492	1855
	kcal/h	260	328	394	457	520	642	500	634	762	889	1013	1258	632	801	965	1127	1286	1599
700	Watt	352	444	533	618	703	869	677	858	1032	1203	1371	1702	855	1084	1306	1525	1740	2164
	kcal/h	304	383	459	533	606	749	584	739	889	1037	1182	1468	737	935	1126	1314	1500	1866
800	Watt	402	508	609	707	804	993	774	980	1179	1374	1567	1946	977	1239	1493	1743	1989	2473
	kcal/h	347	438	525	609	693	856	667	845	1017	1185	1351	1677	842	1068	1287	1502	1715	2132
900	Watt	453	571	685	795	904	1117	870	1103	1327	1546	1763	2189	1099	1394	1680	1960	2237	2783
	kcal/h	390	493	590	685	780	963	750	950	1144	1333	1520	1887	947	1202	1448	1690	1929	2399
1000	Watt	503	635	761	883	1005	1241	967	1225	1474	1718	1959	2432	1221	1549	1866	2178	2486	3092
	kcal/h	434	547	656	762	866	1070	834	1056	1271	1481	1689	2097	1053	1335	1609	1878	2143	2665
1100	Watt	553	698	837	972	1105	1366	1064	1348	1621	1890	2155	2675	1343	1704	2053	2396	2735	3401
	kcal/h	477	602	722	838	953	1177	917	1162	1398	1629	1858	2306	1158	1469	1770	2066	2357	2932
1200	Watt	604	762	913	1060	1206	1490	1160	1470	1769	2062	2351	2918	1465	1859	2240	2614	2983	3710
	kcal/h	520	657	787	914	1040	1284	1000	1267	1525	1777	2027	2516	1263	1602	1931	2253	2572	3198
1300	Watt	654	825	989	1148	1306	1614	1257	1593	1916	2233	2547	3162	1587	2014	2426	2832	3232	4019
	kcal/h	564	711	853	990	1126	1391	1084	1373	1652	1925	2195	2726	1368	1736	2092	2441	2786	3465
1400	Watt	704	889	1065	1237	1407	1738	1354	1715	2064	2405	2743	3405	1709	2168	2613	3050	3480	4328
	kcal/h	607	766	918	1066	1213	1498	1167	1478	1779	2073	2364	2935	1474	1869	2252	2629	3000	3731
1500	Watt	755	952	1141	1325	1507	1862	1451	1838	2211	2577	2939	3648	1831	2323	2800	3267	3729	4638
	kcal/h	651	821	984	1142	1299	1605	1250	1584	1906	2222	2533	3145	1579	2003	2413	2817	3215	3998
1600	Watt	805	1016	1217	1414	1608	1986	1547	1960	2358	2749	3134	3891	1954	2478	2986	3485	3978	4947
	kcal/h	694	876	1050	1219	1386	1712	1334	1690	2033	2370	2702	3354	1684	2136	2574	3005	3429	4264
1800	Watt	906	1143	1370	1590	1809	2235	1741	2205	2653	3092	3526	4378	2198	2788	3359	3921	4475	5565
	kcal/h	781	985	1181	1371	1559	1926	1501	1901	2287	2666	3040	3774	1895	2403	2896	3380	3858	4797
2000	Watt	1006	1270	1522	1767	2010	2483	1934	2450	2948	3436	3918	4864	2442	3098	3733	4357	4972	6183
	kcal/h	867	1095	1312	1523	1733	2140	1667	2112	2541	2962	3378	4193	2105	2670	3218	3756	4286	5331
2200	Watt	1107	1397	1674	1944	2211	2731	2127	2695	3243	3780	4310	5350	2686	3408	4106	4792	5469	6802
	kcal/h	954	1204	1443	1675	1906	2354	1834	2323	2796	3258	3715	4612	2316	2938	3540	4131	4715	5864
2400	Watt	1207	1524	1826	2120	2412	2979	2321	2940	3538	4123	4702	5837	2930	3717	4479	5228	5967	7420
	kcal/h	1041	1314	1574	1828	2079	2568	2001	2534	3050	3554	4053	5032	2526	3205	3861	4507	5144	6397
2600	Watt	1308	1651	1978	2297	2613	3228	2514	3185	3832	4467	5093	6323	3175	4027	4852	5664	6464	8038
	kcal/h	1128	1423	1706	1980	2252	2783	2167	2746	3304	3851	4391	5451	2737	3472	4183	4882	5572	6930
2800	Watt	1409	1778	2131	2474	2814	3476	2708	3430	4127	4810	5485	6810	3419	4337	5226	6099	6961	8657
	kcal/h	1214	1532	1837	2132	2426	2997	2334	2957	3558	4147	4729	5870	2947	3739	4505	5258	6001	7463
3000	Watt	1509	1905	2283	2650	3015	3724	2901	3675	4422	5154	5877	7296	3663	4647	5599	6535	7458	9275
	kcal/h	1301	1642	1968	2285	2599	3211	2501	3168	3812	4443	5066	6290	3158	4006	4827	5634	6429	7996



DIMENSIONAL FEATURES

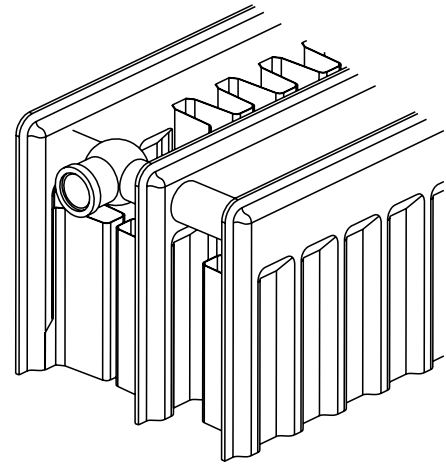
Type	Nominal Size (mm)	Center of Distance (mm)	Width (mm)	Length Min. - Max. (mm)	Water Content (L/m)
22 PKKP	300	245	105	400 - 3000	3,78
	400	345	105	400 - 3000	4,79
	500	445	105	400 - 3000	5,79
	600	545	105	400 - 3000	6,8
	700	645	105	400 - 3000	7,93
	900	845	105	400 - 3000	10,2



H	H1	A	B
300	110	245	200
400	210	345	300
500	310	445	400
600	410	545	500
700	510	645	600
900	710	845	800

L	400	500	600	700	800	900	1000	1100	1200	1300	1400	1500	1600	1700	1800	1900	2000	2100	2200	2300	2400	2500	2600	2700	2800	2900	3000
L1	132	232	332	432	532	632	732	832	932	1032	1132	1232	1332	1432	1532	1632	1732	1832	1932	2032	2132	2232	2332	2432	2532	2632	2732
L2															766	816	866	916	966	1016	1066	1116	1166	1216	1266	1316	1366

Type 33



Width (mm)	160
Height (mm)	300-400-500-600-700-900
Length (mm)	400-3000

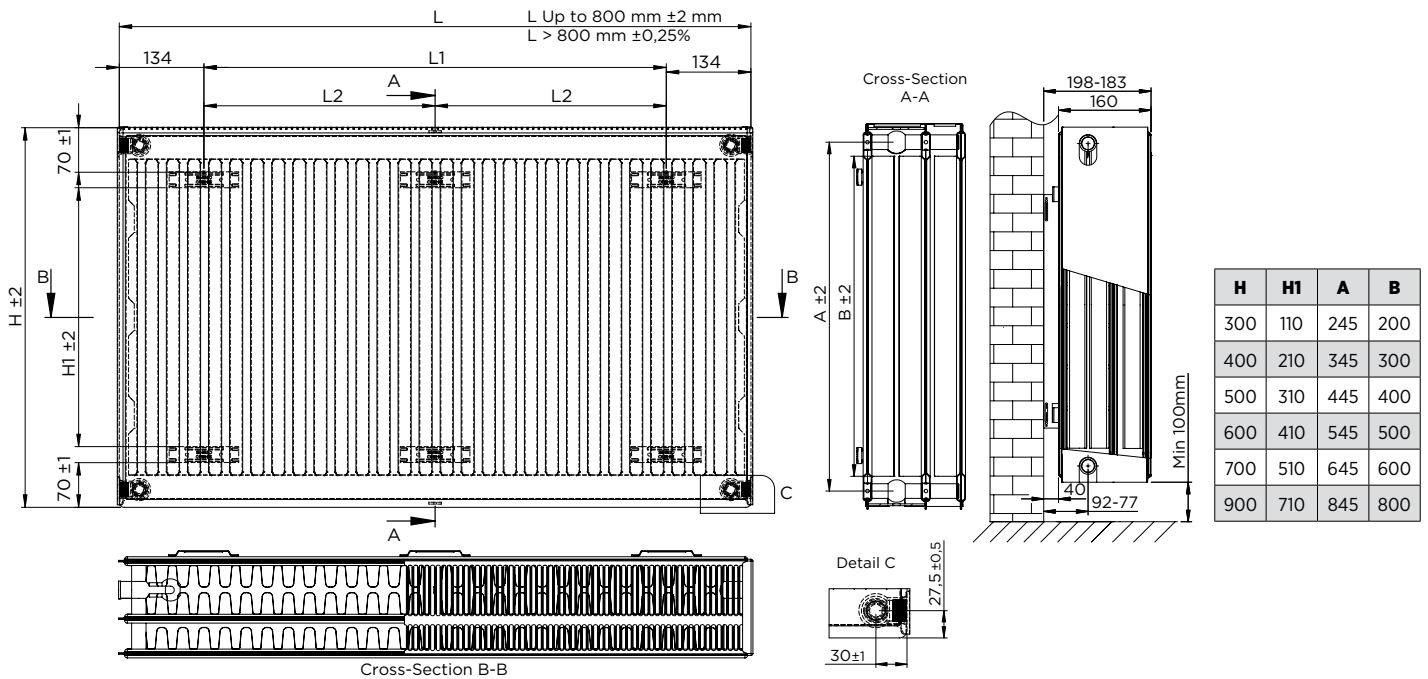
Interval for length : Lengths produced at 100 mm intervals : [400 - 500 - 600 - 700 - 800 - 900 - 1000 - 1100 - 1200 - 1300 - 1400 - 1500 - 1600]
 [Lengths (mm)] : Lengths produced at 200 mm intervals : [1800 - 2000 - 2200 - 2400 - 2600 - 2800 - 3000]

Type 33		(55 / 45 / 20 °C) ΔT: 30 °C						(75 / 65 / 20 °C) ΔT: 50 °C						(90 / 70 / 20 °C) ΔT: 60 °C					
		Height						Height						Height					
n-coefficient		1,29	1,30	1,30	1,30	1,31	1,32	1,29	1,30	1,30	1,30	1,31	1,32	1,29	1,30	1,30	1,30	1,31	1,32
Length	Unit	300	400	500	600	700	900	300	400	500	600	700	900	300	400	500	600	700	900
400	Watt	284	361	433	502	566	685	549	699	841	976	1105	1346	695	886	1066	1238	1403	1714
	kcal/h	245	311	373	432	488	590	473	603	725	841	952	1161	599	764	919	1067	1209	1477
500	Watt	355	451	541	627	707	856	687	874	1052	1220	1381	1683	869	1107	1333	1547	1754	2142
	kcal/h	306	388	467	540	610	738	592	753	906	1052	1191	1451	749	954	1149	1334	1512	1847
600	Watt	425	541	649	752	849	1027	824	1049	1262	1464	1657	2020	1043	1329	1599	1857	2104	2571
	kcal/h	367	466	560	649	732	886	710	904	1088	1262	1429	1741	899	1145	1379	1601	1814	2216
700	Watt	496	631	758	878	990	1199	961	1224	1472	1708	1933	2356	1217	1550	1866	2166	2455	2999
	kcal/h	428	544	653	757	854	1033	829	1055	1269	1472	1667	2031	1049	1336	1609	1867	2116	2585
800	Watt	567	721	866	1003	1132	1370	1098	1398	1682	1952	2210	2693	1391	1771	2132	2476	2806	3427
	kcal/h	489	622	747	865	976	1181	947	1206	1450	1683	1905	2321	1199	1527	1838	2134	2419	2955
900	Watt	638	811	974	1128	1273	1541	1236	1573	1893	2196	2486	3029	1564	1993	2399	2785	3156	3856
	kcal/h	550	699	840	973	1097	1329	1065	1356	1632	1893	2143	2612	1349	1718	2068	2401	2721	3324
1000	Watt	709	901	1082	1254	1414	1712	1373	1748	2103	2440	2762	3366	1738	2214	2666	3095	3507	4284
	kcal/h	611	777	933	1081	1219	1476	1184	1507	1813	2103	2381	2902	1498	1909	2298	2668	3023	3693
1100	Watt	780	991	1191	1379	1556	1884	1510	1923	2313	2684	3038	3703	1912	2436	2932	3404	3858	4713
	kcal/h	672	855	1026	1189	1341	1624	1302	1658	1994	2314	2619	3192	1648	2100	2528	2934	3326	4063
1200	Watt	851	1082	1299	1505	1697	2055	1648	2098	2524	2928	3314	4039	2086	2657	3199	3713	4209	5141
	kcal/h	734	932	1120	1297	1463	1771	1420	1808	2176	2524	2857	3482	1798	2291	2757	3201	3628	4432
1300	Watt	922	1172	1407	1630	1839	2226	1785	2272	2734	3172	3591	4376	2260	2878	3465	4023	4559	5570
	kcal/h	795	1010	1213	1405	1585	1919	1539	1959	2357	2734	3095	3772	1948	2481	2987	3468	3930	4801
1400	Watt	993	1262	1515	1755	1980	2397	1922	2447	2944	3416	3867	4712	2433	3100	3732	4332	4910	5998
	kcal/h	856	1088	1306	1513	1707	2067	1657	2110	2538	2945	3333	4062	2098	2672	3217	3735	4233	5171
1500	Watt	1064	1352	1624	1881	2122	2568	2060	2622	3155	3660	4143	5049	2607	3321	3998	4642	5261	6426
	kcal/h	917	1165	1400	1621	1829	2214	1775	2260	2719	3155	3572	4353	2248	2863	3447	4002	4535	5540
1600	Watt	1135	1442	1732	2006	2263	2740	2197	2797	3365	3904	4419	5386	2781	3543	4265	4951	5611	6855
	kcal/h	978	1243	1493	1729	1951	2362	1894	2411	2901	3366	3810	4643	2397	3054	3677	4268	4837	5909
1800	Watt	1276	1622	1948	2257	2546	3082	2471	3146	3785	4392	4972	6059	3129	3986	4798	5570	6313	7712
	kcal/h	1100	1399	1680	1946	2195	2657	2131	2712	3263	3786	4286	5223	2697	3436	4136	4802	5442	6648
2000	Watt	1418	1803	2165	2508	2829	3425	2746	3496	4206	4880	5524	6732	3476	4428	5331	6189	7014	8569
	kcal/h	1223	1554	1866	2162	2439	2952	2367	3014	3626	4207	4762	5803	2997	3818	4596	5335	6047	7387
2200	Watt	1560	1983	2381	2758	3112	3767	3021	3846	4627	5368	6076	7405	3824	4871	5864	6808	7716	9425
	kcal/h	1345	1709	2053	2378	2683	3248	2604	3315	3988	4628	5238	6384	3296	4199	5055	5869	6651	8125
2400	Watt	1702	2163	2598	3009	3395	4110	3295	4195	5047	5856	6629	8078	4172	5314	6397	7427	8417	10282
	kcal/h	1467	1865	2240	2594	2927	3543	2841	3617	4351	5048	5714	6964	3596	4581	5515	6402	7256	8864
2600	Watt	1844	2343	2814	3260	3678	4452	3570	4545	5468	6344	7181	8752	4519	5757	6930	8046	9119	11139
	kcal/h	1589	2020	2426	2810	3170	3838	3077	3918	4714	5469	6191	7544	3896	4963	5974	6936	7861	9603
2800	Watt	1986	2524	3031	3511	3961	4795	3844	4894	5888	6832	7734	9425	4867	6200	7463	8665	9820	11996
	kcal/h	1712	2176	2613	3026	3414	4133	3314	4219	5076	5890	6667	8125	4195	5345	6434	7470	8465	10341
3000	Watt	2127	2704	3247	3761	4243	5137	4119	5244	6309	7320	8286	10098	5214	6643	7997	9284	10521	12853
	kcal/h	1834	2331	2799	3243	3658	4428	3551	4521	5439	6310	7143	8705	4495	5726	6894	8003	9070	11080



DIMENSIONAL FEATURES

Type	Nominal Size (mm)	Center of Distance (mm)	Width (mm)	Length Min. - Max. (mm)	Water Content (L/m)
33 DKEK	300	245	160	400 - 3000	5,65
	400	345	160	400 - 3000	7,11
	500	445	160	400 - 3000	8,58
	600	545	160	400 - 3000	10,04
	700	645	105	400 - 3000	11,71
	900	845	160	400 - 3000	15,19



H	H1	A	B
300	110	245	200
400	210	345	300
500	310	445	400
600	410	545	500
700	510	645	600
900	710	845	800

L	400	500	600	700	800	900	1000	1100	1200	1300	1400	1500	1600	1700	1800	1900	2000	2100	2200	2300	2400	2500	2600	2700	2800	2900	3000
L1	132	232	332	432	532	632	732	832	932	1032	1132	1232	1332	1432	1532	1632	1732	1832	1932	2032	2132	2232	2332	2432	2532	2632	2732
L2															766	816	866	916	966	1016	1066	1116	1166	1216	1266	1316	1366

Compact Panel Radiators



Test Pressure 13 bar	Max. Operation Pressure 10 bar	Max. Water Temperature 110 °C	Warranty 10	Number of Connection 6xDIN G ^{1/2}
--------------------------------	--	---	-----------------------	---

Extensive Product Range

Warmhaus Compact Radiators fits perfectly in every living space with its extensive product range.

- Six connections
- Thermostatic control
- Bottom connection
- High thermal efficiency
- Left/right/middle* connection option
- With or without hanger

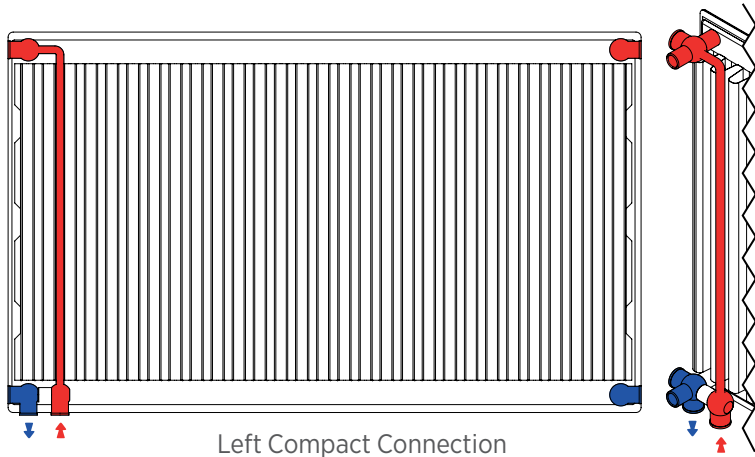


H Ventile

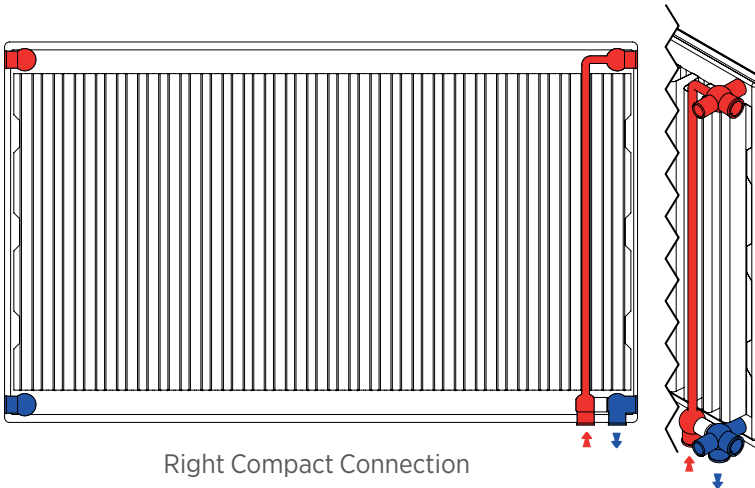
	Type 10	Type 11	Type 20
Width (mm)	50	60	70
Height (mm)	300-400-500-600-700-900	300-400-500-600-700-900	300-400-500-600-700-900
Length (mm)	400-3000	400-3000	400-3000
Interval for Length (mm)	100 mm [400-500-600-700-800-900-1000-1100-1200-1300-1400-1500-1600] 200 mm [1800-2000-2200-2400-2600-2800-3000]		
	Type 21	Type 22	Type 33
Width (mm)	70	105	160
Height (mm)	300-400-500-600-700-900	300-400-500-600-700-900	300-400-500-600-700-900
Length (mm)	400-3000	400-3000	400-3000
Interval for Length (mm)	100 mm [400-500-600-700-800-900-1000-1100-1200-1300-1400-1500-1600] 200 mm [1800-2000-2200-2400-2600-2800-3000]		

*Please contact with your sales representative for middle connection option.

Compact Radiator Connection Types

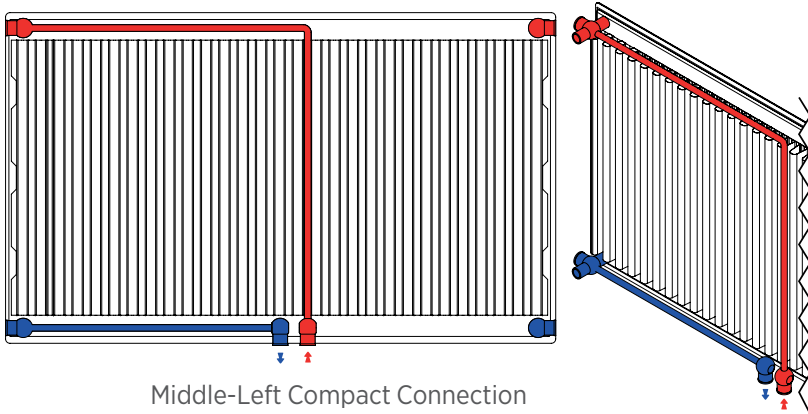


Left / Right Connection (Top View)



Left / Right Connection (Bottom View)





Middle-Left Compact Connection

Type 22 Compact

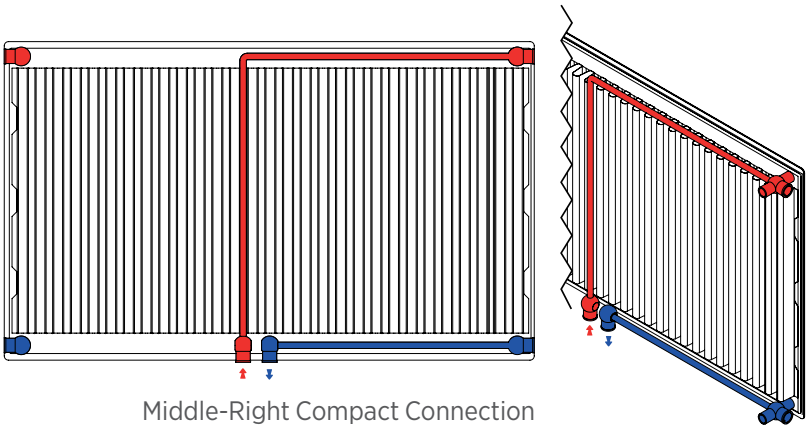


Middle Connection (Top View)

Type 20 Compact



Middle Connection (Bottom View)



Middle-Right Compact Connection

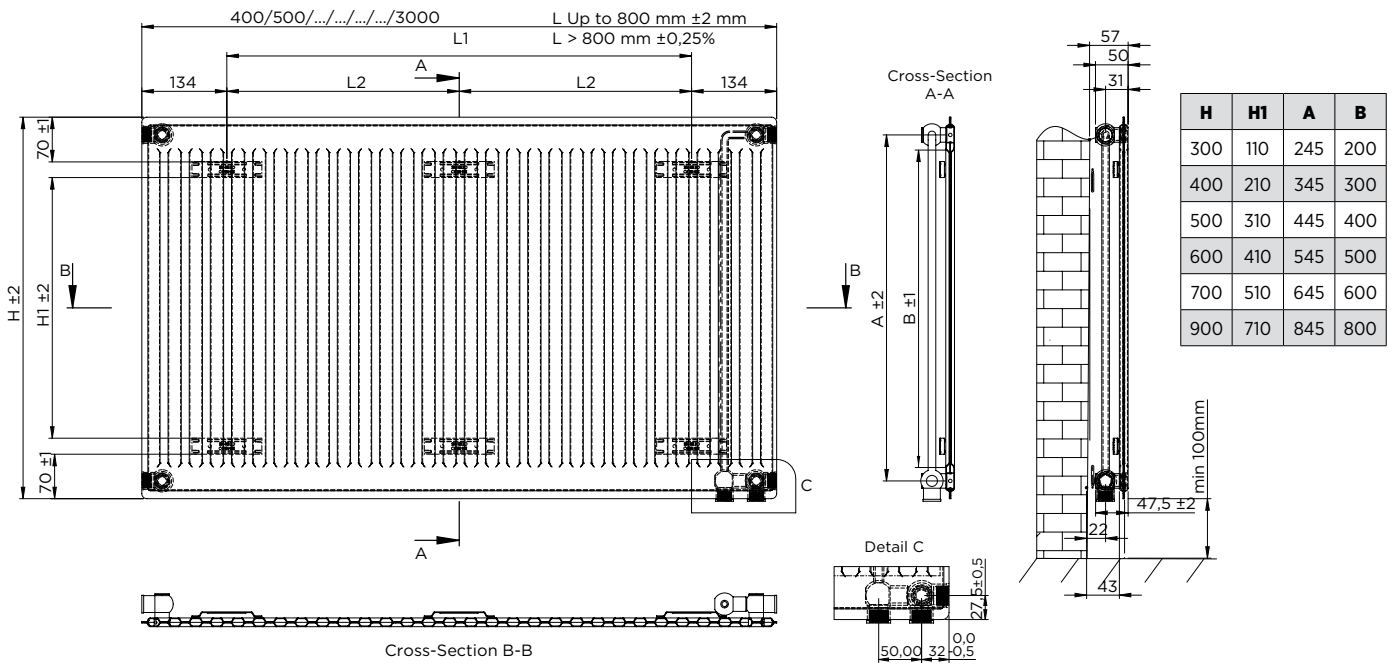


Type 10 Compact



Right Connection (Front View)

Right Connection (Rear View)

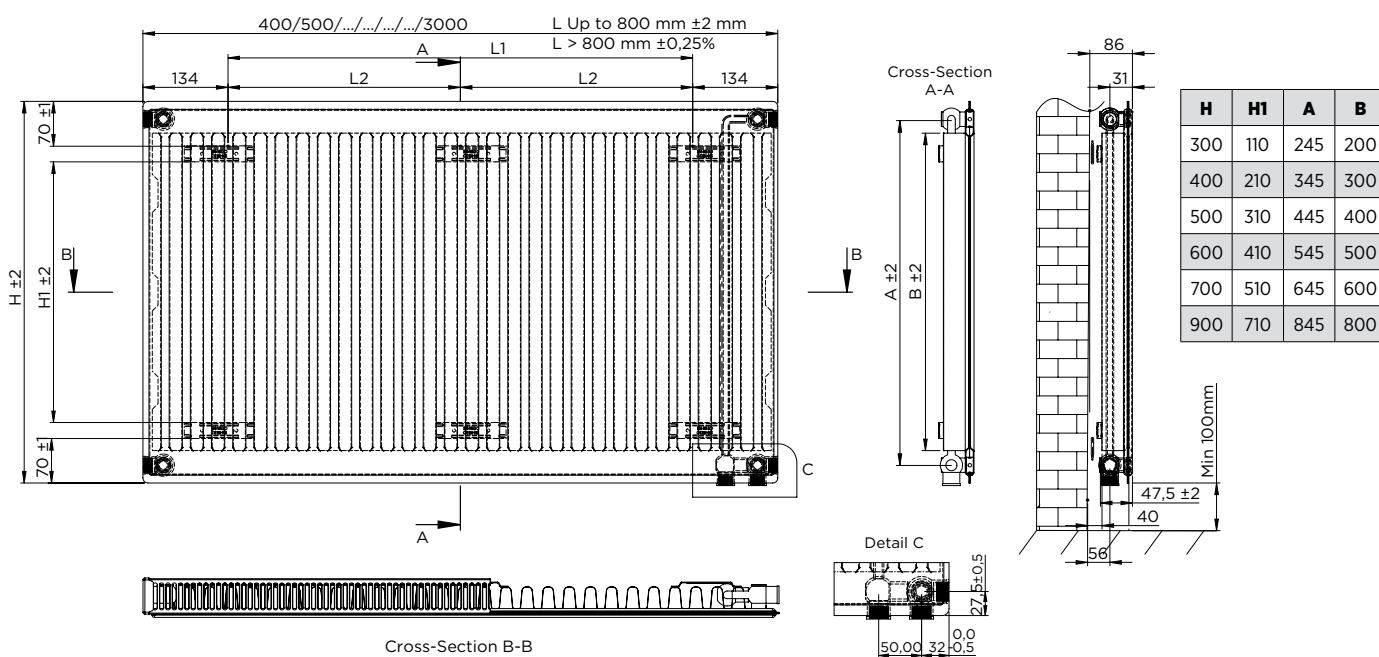


L	400	500	600	700	800	900	1000	1100	1200	1300	1400	1500	1600	1700	1800	1900	2000	2100	2200	2300	2400	2500	2600	2700	2800	2900	3000
L1	132	232	332	432	532	632	732	832	932	1032	1132	1232	1332	1432	1532	1632	1732	1832	1932	2032	2132	2232	2332	2432	2532	2632	2732
L2															766	816	866	916	966	1016	1066	1116	1166	1216	1266	1316	1366

Type 11 Compact

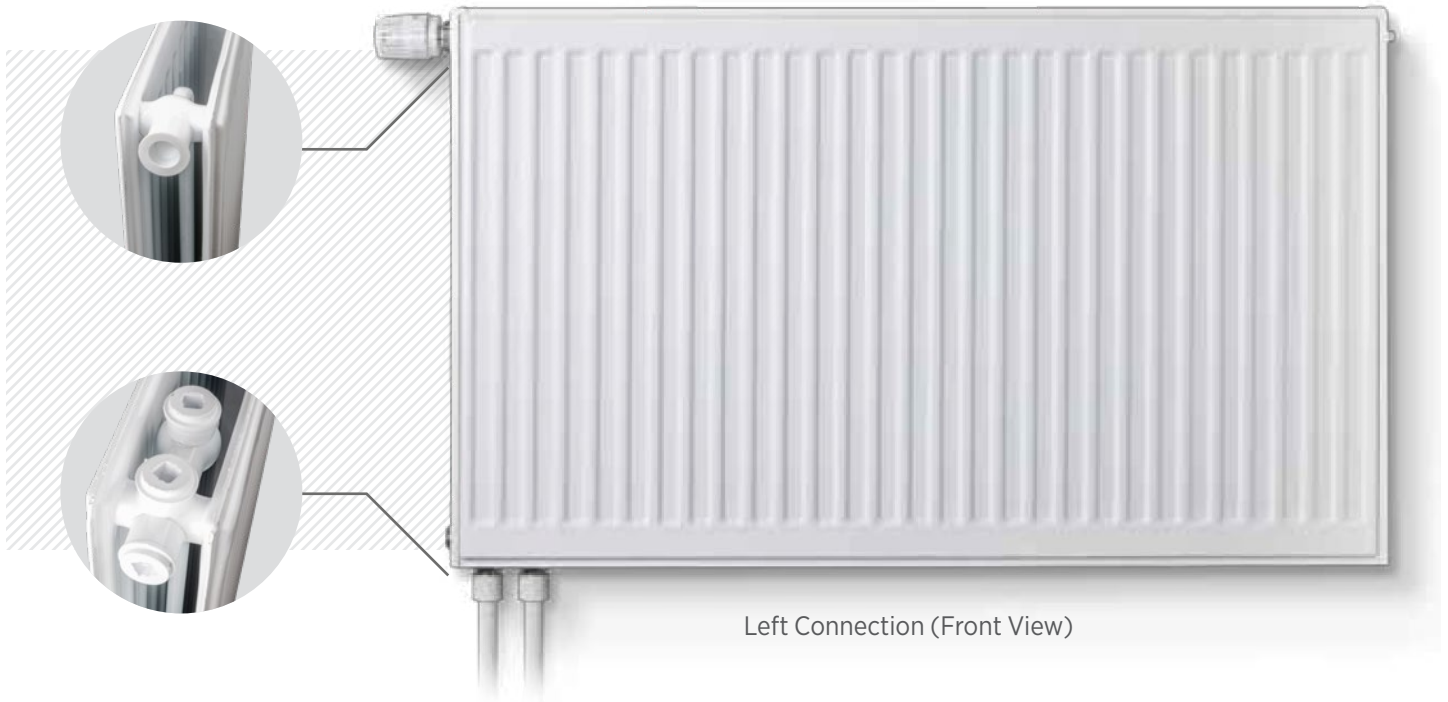


Right Connection (Front View)

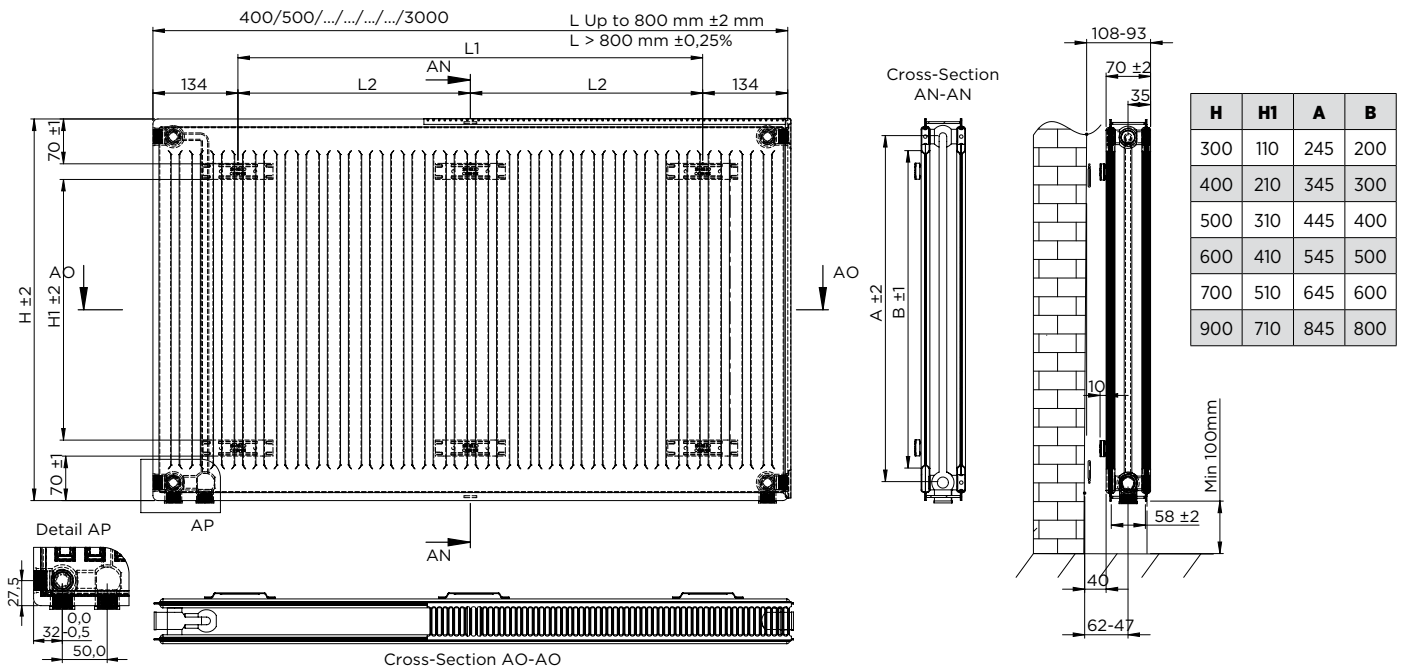


L	400	500	600	700	800	900	1000	1100	1200	1300	1400	1500	1600	1700	1800	1900	2000	2100	2200	2300	2400	2500	2600	2700	2800	2900	3000
L1	132	232	332	432	532	632	732	832	932	1032	1132	1232	1332	1432	1532	1632	1732	1832	1932	2032	2132	2232	2332	2432	2532	2632	2732
L2															766	816	866	916	966	1016	1066	1116	1166	1216	1266	1316	1366

Type 20 Compact



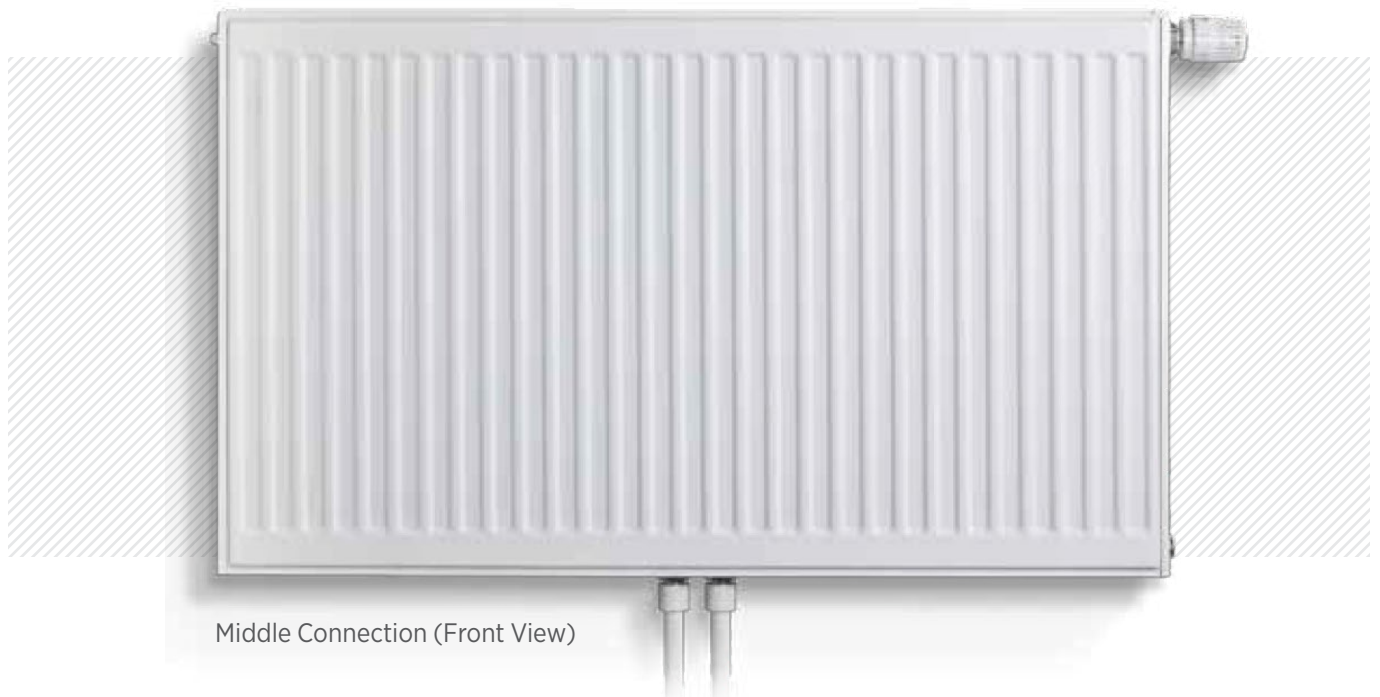
Left Connection (Front View)



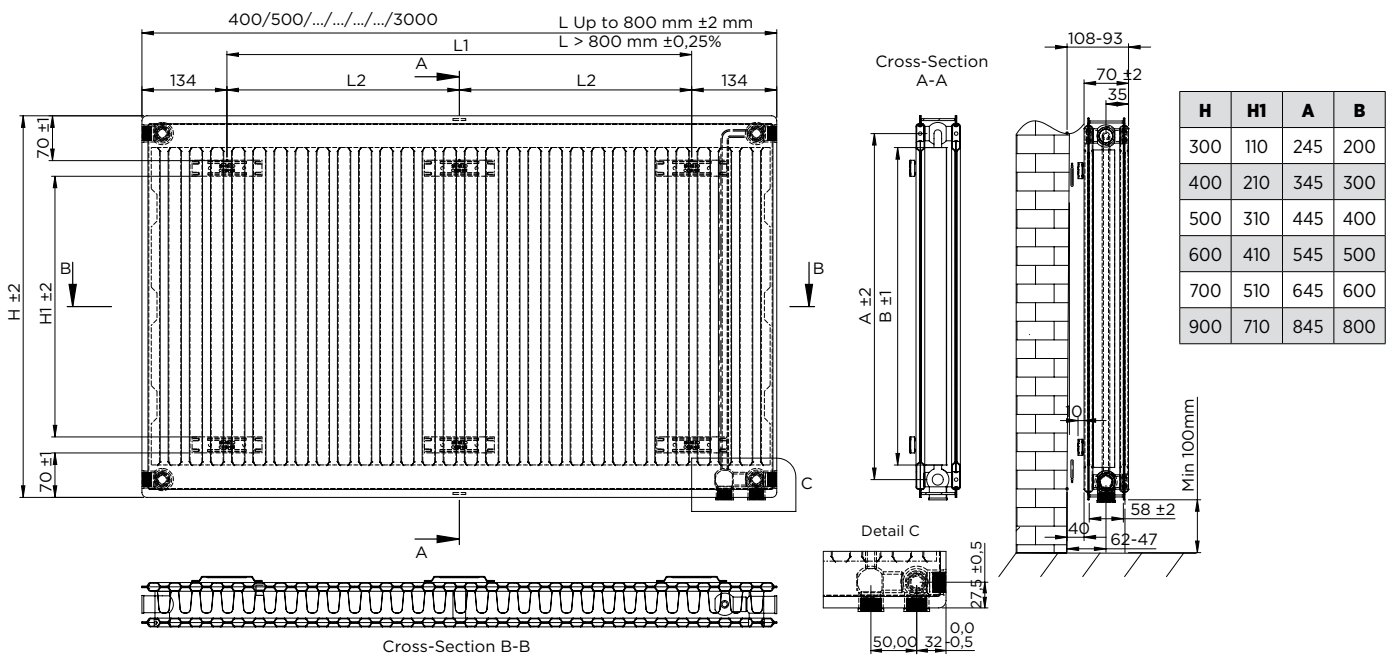
H	H1	A	B
300	110	245	200
400	210	345	300
500	310	445	400
600	410	545	500
700	510	645	600
900	710	845	800

L	400	500	600	700	800	900	1000	1100	1200	1300	1400	1500	1600	1700	1800	1900	2000	2100	2200	2300	2400	2500	2600	2700	2800	2900	3000
L1	132	232	332	432	532	632	732	832	932	1032	1132	1232	1332	1432	1532	1632	1732	1832	1932	2032	2132	2232	2332	2432	2532	2632	2732
L2															766	816	866	916	966	1016	1066	1116	1166	1216	1266	1316	1366

Type 21 Compact



Middle Connection (Front View)



L	400	500	600	700	800	900	1000	1100	1200	1300	1400	1500	1600	1700	1800	1900	2000	2100	2200	2300	2400	2500	2600	2700	2800	2900	3000
L1	132	232	332	432	532	632	732	832	932	1032	1132	1232	1332	1432	1532	1632	1732	1832	1932	2032	2132	2232	2332	2432	2532	2632	2732
L2															766	816	866	916	966	1016	1066	1116	1166	1216	1266	1316	1366

Hygienic Panel Radiators



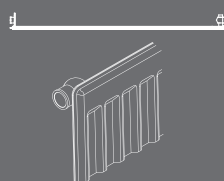
Test Pressure	bar	Max. Operation Pressure	bar	Max. Water Temperature	°C	Warranty	Number of Connection
13		10		110		10	4xDIN 6xDIN

Super Clean

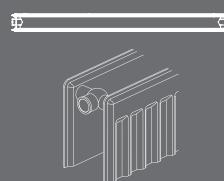
Hygienic Radiators, which offer super cleanability and functionality, are suitable for hospitals and spaces that require high level of hygiene. Its structure with no convector enables it to hold minimum level of dust, and its wide intervals make the cleaning process extremely easy.



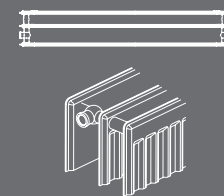
Type 10



Type 20



Type 30



Width (mm)	50	70	160
Height (mm)	300-400-500-600-700-900	300-400-500-600-700-900	300-400-500-600-700-900
Length (mm)	400-3000	400-3000	400-3000
Interval for Length (mm)	100 mm [400-500-600-700-800-900-1000-1100-1200-1300-1400-1500-1600] 200 mm [1800-2000-2200-2400-2600-2800-3000]		

Decorative Panel Radiators



Elegant

Warmhaus offers the Decorative Panel Radiators range to satisfy the demand of elegance, style and flexibility. We have a broad range of products available in various color, finish and size alternatives.



Vertical Decorative Panel Radiators



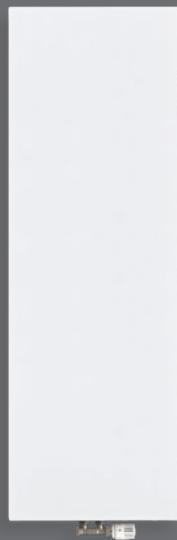
Test Pressure	bar	Max. Operation Pressure	bar	Max. Water Temperature	°C	Warranty	Number of Connection
13		10		110		10	4xDIN 6xDIN

Best for Limited Spaces

Warmhaus Vertical Radiators are the best solution for small spaces because they only occupy the height of the space. They are available as a standard panel, as well as flat, transverse, longitudinal striped and color options. In addition to being a decorative object, they also have high heat output levels.

- Extensive color and design alternatives
- Possibility for customization with flat and horizontal lines
- Vertical positioning alternative in order to optimal use of space

Flat



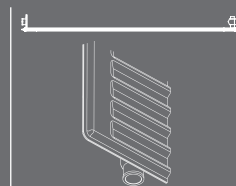
Line



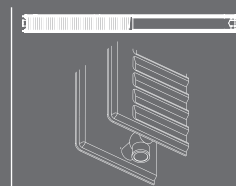
Standard



Type 10



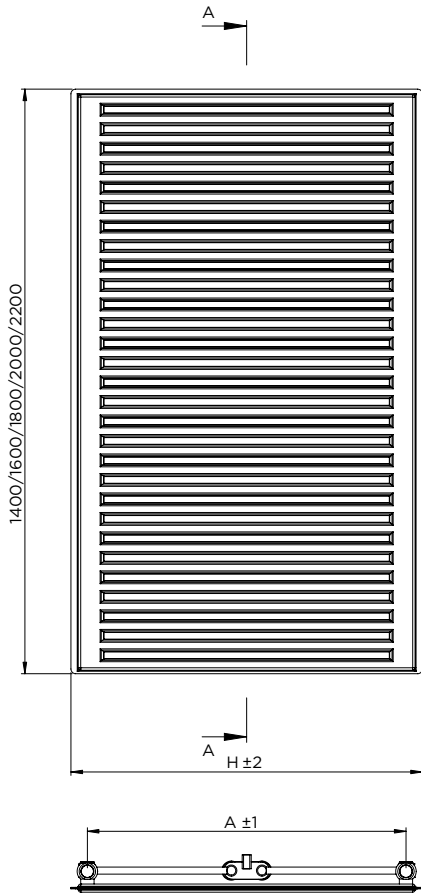
Type 20



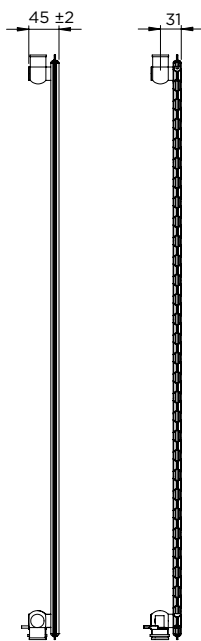
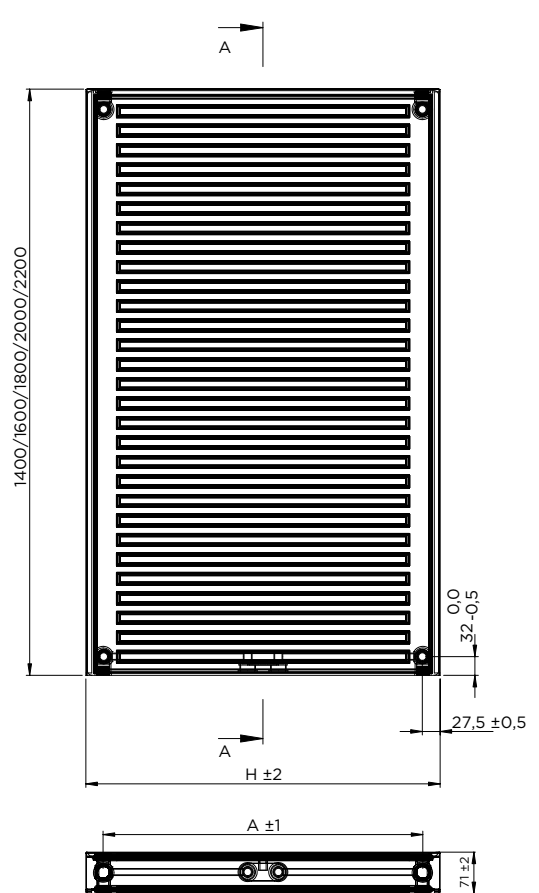
Width (mm)	45 ±2	71 ±2
Height (mm)	1600-2400	1600-2400
Length (mm)	400-500-600	400-500-600

Vertical Panel Dimensions

Type 10 Vertical Panel

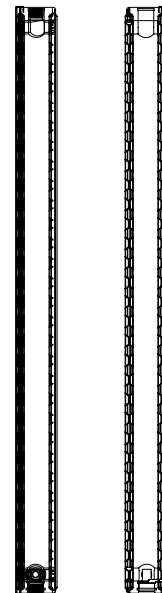


Type 20 Vertical Panel

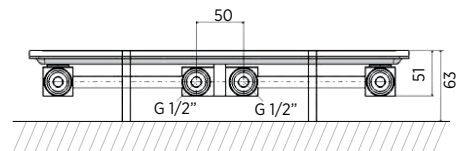
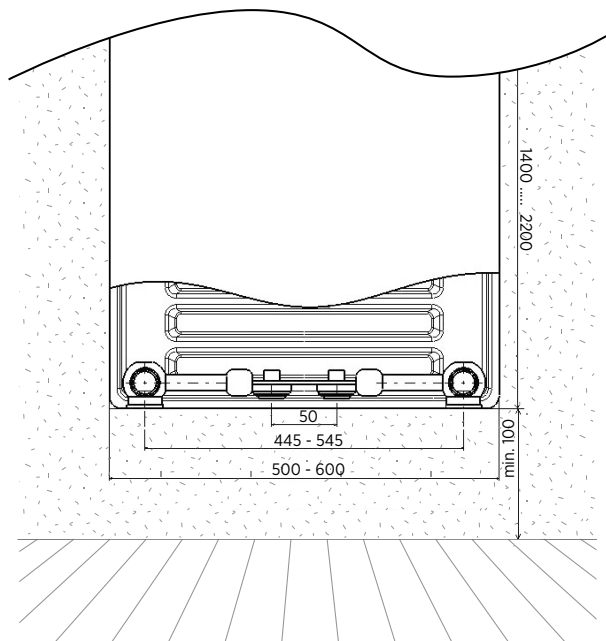
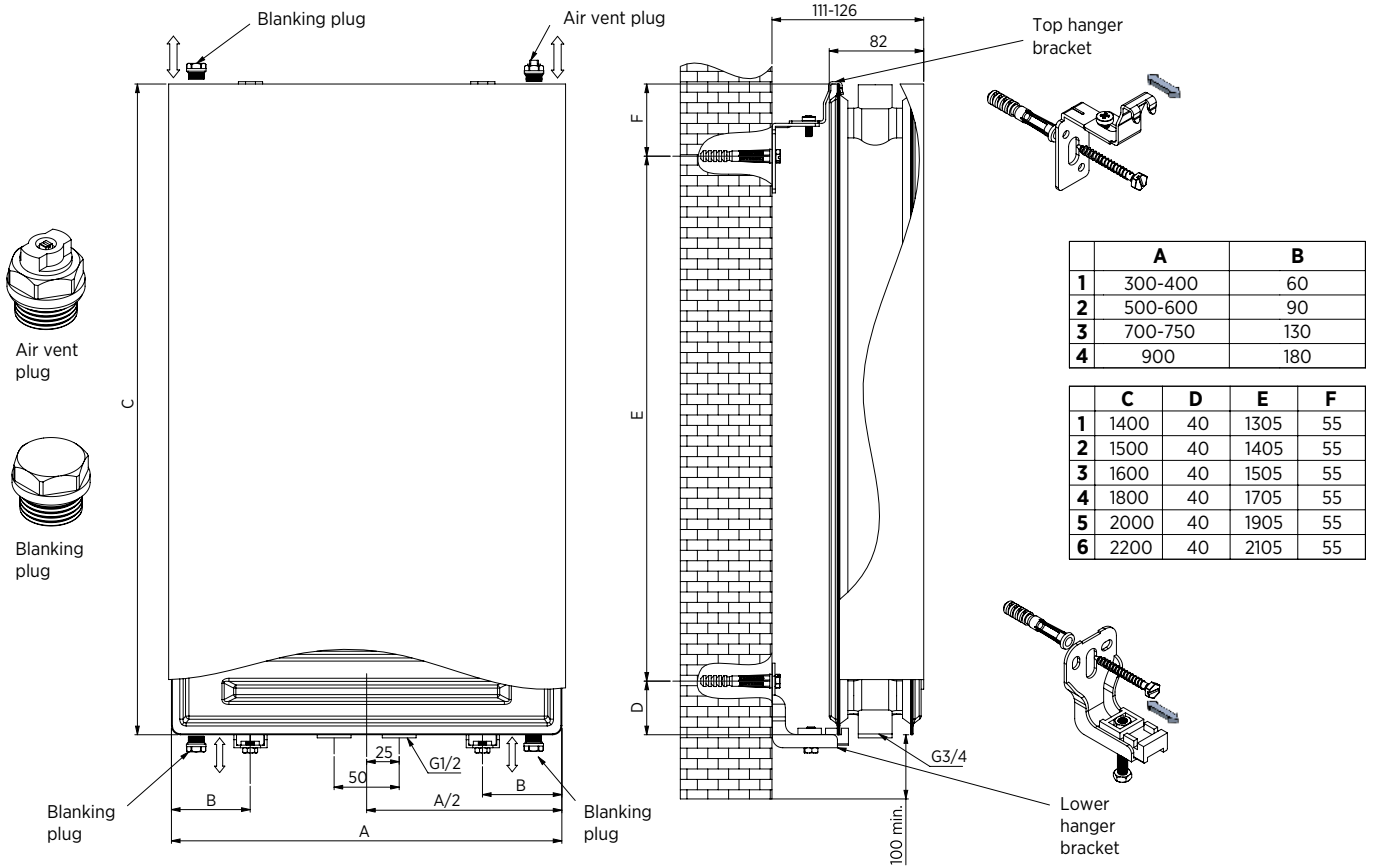


Cross-Section
A-A

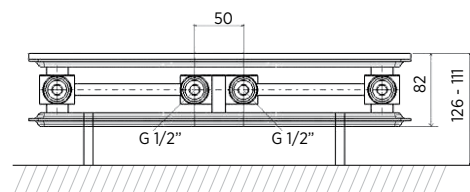
H	300	400	500	600	700	900
A	245	345	445	545	645	845



Cross-Section
A-A



Type 10



Type 20

Horizontal Decorative Panel Radiators



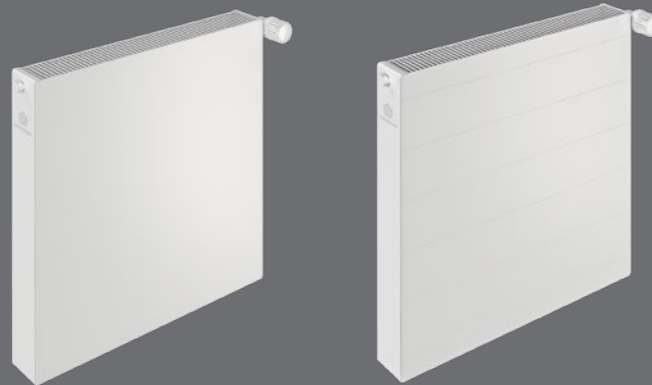
Test Pressure 13 bar	Max. Operation Pressure 10 bar	Max. Water Temperature 110 °C	Warranty 10 	Number of Connection 4xDIN 6xDIN G 1/2
-----------------------------------	---	--	---------------------------	---

Flat and Line

Warmhaus Horizontal Decorative Panel Radiators have surface with optimum thermal efficiency and they are easy to clean in addition to their elegant look. They provide the functionality and benefits of standard and compact radiators.

All the advantages of a compact ventilator and in-line radiator can be applied to a flat radiator. Flat radiators can be customized with vertical or horizontal lines, wide color range and pattern options.

- Elegant appearance with smooth surface
- Flat and horizontal line options



Flat

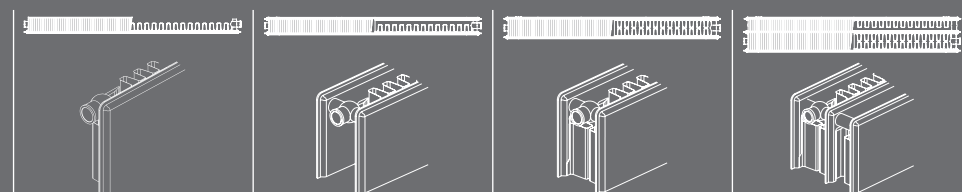
Line

Type 11

Type 21

Type 22

Type 33



Width (mm)	60	70	105	160
Height (mm)	300-400-500-600-700-900	300-400-500-600-700-900	300-400-500-600-700-900	300-400-500-600-700-900
Length (mm)	400-3000	400-3000	400-3000	400-3000

Colorful Panel Radiators



Test Pressure	bar	Max. Operation Pressure	bar	Max. Water Temperature	°C	Warranty	Number of Connection
13		10		110		10	4xDIN 6xDIN

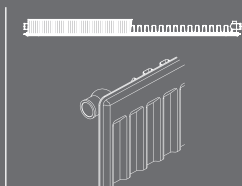
You Imagine, We Make It Real

Warmhaus Colorful Panel Radiators will bring joy to your home or business with an unlimited color and design range. Choose a radiator from our extensive Warmhaus product range, select an image to be printed or color you wish and we will turn your imagination into a realization.

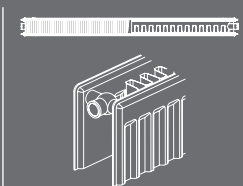
- Extensive color and design range
- Applicable to all types



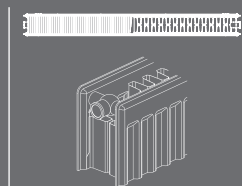
Type 11



Type 21



Type 22



Width (mm)	60	70	105
Height (mm)	500-600-700-900	500-600-700-900	500-600-700-900
Length (mm)	500-1800	500-1800	400-3000

Towel Radiators



Test Pressure	Max. Water Temperature	Warranty	Colour
13 bar	95 °C	5 	Chromated White



Stylish

Enjoy the style and comfort of Warmhaus Towel Radiators which are ideal for your kitchen and bathroom.

- Ideal for kitchens and bathrooms
- Practical drying performance
- Straight & Curved Ladder type options
- Chrome and white coated steel construction



White

Straight & Curved
Ladder Options



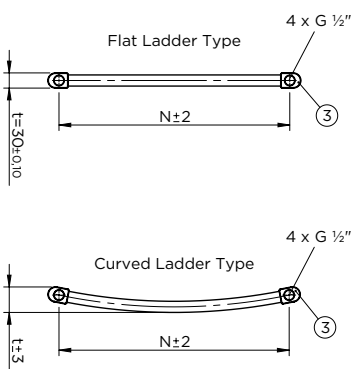
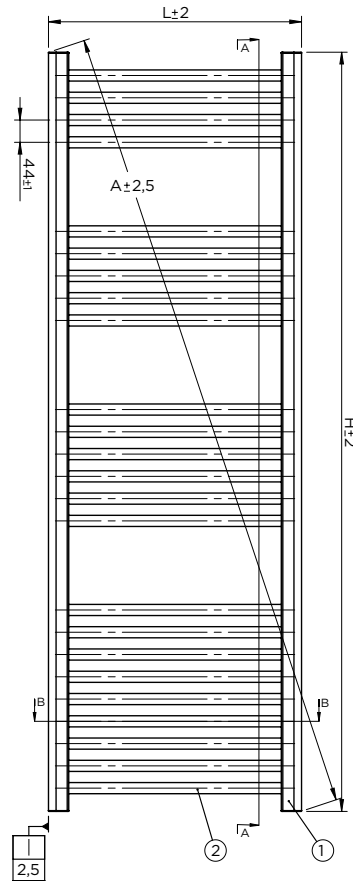
Chrome

Straight & Oval
Options

Model Specification

Model	Colour	Width	Height	Distance Between Axes	Connection Size	Max. Working Pressure	Test Pressure	Depth	Number of Rails	Pipe Diameter	Water Content	Weight (Net)	Packaged Product Weight	Max. Working Temperature
		L [mm]	H [mm]	N [mm]		p [bar]	p [bar]	G [mm]	[-]	[mm]	V.t [dm3]	M [kg]	M [kg]	T [°C]
T100-060-040	White	400	600	355	G 1/2"	10	13	30	11	22	2,3	3,6	4,3	120
T100-070-040	White	400	700	355	G 1/2"	10	13	30	13	22	2,7	4,0	4,8	120
T100-080-040	White	400	800	355	G 1/2"	10	13	30	14	22	3,0	4,5	5,2	120
T100-090-040	White	400	900	355	G 1/2"	10	13	30	15	22	3,3	4,9	5,7	120
T100-100-040	White	400	1000	355	G 1/2"	10	13	30	16	22	3,7	5,3	6,2	120
T100-110-040	White	400	1100	355	G 1/2"	10	13	30	18	22	4,0	5,9	6,8	120
T100-120-040	White	400	1200	355	G 1/2"	10	13	30	20	22	4,3	6,5	7,5	120
T100-130-040	White	400	1300	355	G 1/2"	10	13	30	21	22	4,7	7,0	7,9	120
T100-140-040	White	400	1400	355	G 1/2"	10	13	30	22	22	5,0	7,4	8,4	120
T100-150-040	White	400	1500	355	G 1/2"	10	13	30	24	22	5,4	8,0	9,0	120
T100-160-040	White	400	1600	355	G 1/2"	10	13	30	26	22	5,7	8,6	9,7	120
T100-170-040	White	400	1700	355	G 1/2"	10	13	30	28	22	6,1	9,1	10,3	120
T100-180-040	White	400	1800	355	G 1/2"	10	13	30	30	22	6,5	9,7	10,9	120
T100C-060-040	Chrome	400	600	355	G 1/2"	10	13	30	11	22	2,3	3,6	4,3	120
T100C-070-040	Chrome	400	700	355	G 1/2"	10	13	30	13	22	2,7	4,0	4,8	120
T100C-080-040	Chrome	400	800	355	G 1/2"	10	13	30	14	22	3,1	4,5	5,2	120
T100C-090-040	Chrome	400	900	355	G 1/2"	10	13	30	15	22	3,4	4,9	5,7	120
T100C-100-040	Chrome	400	1000	355	G 1/2"	10	13	30	16	22	3,7	5,3	6,2	120
T100C-110-040	Chrome	400	1100	355	G 1/2"	10	13	30	18	22	4,1	6,0	6,8	120
T100C-120-040	Chrome	400	1200	355	G 1/2"	10	13	30	20	22	4,4	6,5	7,5	120
T100C-130-040	Chrome	400	1300	355	G 1/2"	10	13	30	21	22	4,8	6,9	7,9	120
T100C-140-040	Chrome	400	1400	355	G 1/2"	10	13	30	22	22	5,1	7,4	8,4	120
T100C-150-040	Chrome	400	1500	355	G 1/2"	10	13	30	24	22	5,5	8,0	9,0	120
T100C-160-040	Chrome	400	1600	355	G 1/2"	10	13	30	26	22	5,7	8,5	9,7	120
T100C-170-040	Chrome	400	1700	355	G 1/2"	10	13	30	28	22	6,2	9,1	10,3	120
T100C-180-040	Chrome	400	1800	355	G 1/2"	10	13	30	30	22	6,6	9,7	10,9	120
T100-070-050	White	500	700	455	G 1/2"	10	13	30	13	22	3,1	4,6	5,4	120
T100-080-050	White	500	800	455	G 1/2"	10	13	30	14	22	3,4	5,1	6,0	120
T100-090-050	White	500	900	455	G 1/2"	10	13	30	15	22	3,8	5,6	6,5	120
T100-100-050	White	500	1000	455	G 1/2"	10	13	30	16	22	4,2	6,1	7,1	120
T100-110-050	White	500	1100	455	G 1/2"	10	13	30	18	22	4,6	6,8	7,8	120
T100-120-050	White	500	1200	455	G 1/2"	10	13	30	20	22	5,0	7,5	8,5	120
T100-130-050	White	500	1300	455	G 1/2"	10	13	30	21	22	5,4	8,0	9,1	120
T100-140-050	White	500	1400	455	G 1/2"	10	13	30	22	22	5,8	8,4	9,6	120
T100-150-050	White	500	1500	455	G 1/2"	10	13	30	24	22	6,2	9,1	10,4	120
T100-160-050	White	500	1600	455	G 1/2"	10	13	30	26	22	6,6	9,8	11,1	120
T100-170-050	White	500	1700	455	G 1/2"	10	13	30	28	22	7,0	10,5	11,8	120
T100-180-050	White	500	1800	455	G 1/2"	10	13	30	30	22	7,5	11,1	12,6	120
T100C-070-050	Chrome	500	700	455	G 1/2"	10	13	30	13	22	3,2	4,6	5,4	120
T100C-080-050	Chrome	500	800	455	G 1/2"	10	13	30	14	22	3,5	5,1	6,0	120
T100C-090-050	Chrome	500	900	455	G 1/2"	10	13	30	15	22	3,8	5,6	6,5	120
T100C-100-050	Chrome	500	1000	455	G 1/2"	10	13	30	16	22	4,2	6,1	7,1	120
T100C-110-050	Chrome	500	1100	455	G 1/2"	10	13	30	18	22	4,6	6,8	7,8	120
T100C-120-050	Chrome	500	1200	455	G 1/2"	10	13	30	20	22	5,0	7,5	8,5	120
T100C-130-050	Chrome	500	1300	455	G 1/2"	10	13	30	21	22	5,4	7,9	9,1	120
T100C-140-050	Chrome	500	1400	455	G 1/2"	10	13	30	22	22	5,8	8,4	9,6	120
T100C-150-050	Chrome	500	1500	455	G 1/2"	10	13	30	24	22	6,1	9,1	10,4	120
T100C-160-050	Chrome	500	1600	455	G 1/2"	10	13	30	26	22	6,5	9,8	11,1	120
T100C-170-050	Chrome	500	1700	455	G 1/2"	10	13	30	28	22	6,9	10,5	11,8	120
T100C-180-050	Chrome	500	1800	455	G 1/2"	10	13	30	30	22	7,3	11,2	12,6	120
T100-070-060	White	600	700	555	G 1/2"	10	13	30	13	22	3,6	5,3	6,2	120
T100-080-060	White	600	800	555	G 1/2"	10	13	30	14	22	3,9	5,8	6,8	120
T100-090-060	White	600	900	555	G 1/2"	10	13	30	15	22	4,3	6,3	7,3	120
T100-100-060	White	600	1000	555	G 1/2"	10	13	30	16	22	4,7	6,9	7,9	120
T100-110-060	White	600	1100	555	G 1/2"	10	13	30	18	22	5,2	7,7	8,8	120
T100-120-060	White	600	1200	555	G 1/2"	10	13	30	20	22	5,6	8,4	9,6	120
T100-130-060	White	600	1300	555	G 1/2"	10	13	30	21	22	6,1	9,0	10,2	120
T100-140-060	White	600	1400	555	G 1/2"	10	13	30	22	22	6,6	9,5	10,8	120
T100-150-060	White	600	1500	555	G 1/2"	10	13	30	24	22	7,0	10,3	11,7	120
T100-160-060	White	600	1600	555	G 1/2"	10	13	30	26	22	7,5	11,0	12,5	120
T100-170-060	White	600	1700	555	G 1/2"	10	13	30	28	22	8,0	11,8	13,3	120
T100-180-060	White	600	1800	555	G 1/2"	10	13	30	30	22	8,5	12,6	14,2	120
T100C-070-060	Chrome	600	700	555	G 1/2"	10	13	30	13	22	3,6	5,3	6,2	120
T100C-080-060	Chrome	600	800	555	G 1/2"	10	13	30	14	22	3,9	5,8	6,8	120
T100C-090-060	Chrome	600	900	555	G 1/2"	10	13	30	15	22	4,3	6,3	7,3	120
T100C-100-060	Chrome	600	1000	555	G 1/2"	10	13	30	16	22	4,8	6,8	7,9	120
T100C-110-060	Chrome	600	1100	555	G 1/2"	10	13	30	18	22	5,2	7,7	8,8	120
T100C-120-060	Chrome	600	1200	555	G 1/2"	10	13	30	20	22	5,7	8,4	9,6	120
T100C-130-060	Chrome	600	1300	555	G 1/2"	10	13	30	21	22	6,1	9,0	10,2	120
T100C-140-060	Chrome	600	1400	555	G 1/2"	10	13	30	22	22	6,5	9,5	10,8	120
T100C-150-060	Chrome	600	1500	555	G 1/2"	10	13	30	24	22	7,0	10,3	11,7	120
T100C-160-060	Chrome	600	1600	555	G 1/2"	10	13	30	26	22	7,4	11,0	12,5	120
T100C-170-060	Chrome	600	1700	555	G 1/2"	10	13	30	28	22	7,9	11,8	13,3	120
T100C-180-060	Chrome	600	1800	555	G 1/2"	10	13	30	30	22	8,3	12,6	14,2	120

Power Output										
$\Delta T=50$ (Nominal)	$\Delta T=25$	$\Delta T=30$	$\Delta T=35$	$\Delta T=40$	$\Delta T=45$	$\Delta T=55$	$\Delta T=60$	$\Delta T=65$	$\Delta T=90$	
P [W]	P [W]	P [W]	P [W]	P [W]	P [W]	P [W]	P [W]	P [W]	P [W]	P [W]
224	97	119	145	171	197	279	307	335	454	
259	114	140	169	199	228	321	353	385	519	
283	121	149	182	215	248	354	390	427	582	
312	133	165	201	237	274	391	432	473	644	
342	145	180	220	260	300	429	473	518	707	
372	158	195	239	282	326	466	515	564	770	
402	170	211	258	305	352	504	556	610	833	
435	184	228	279	329	381	545	602	660	901	
468	198	245	300	354	410	586	648	710	970	
501	212	262	321	379	439	628	693	760	1039	
534	225	279	342	404	468	669	739	811	1108	
576	244	302	370	437	506	723	798	875	1195	
619	262	325	398	470	543	776	857	939	1283	
142	61	75	92	108	125	178	196	215	293	
166	71	87	107	126	146	207	229	251	341	
177	73	91	112	133	155	223	247	272	374	
198	82	102	126	149	173	250	276	304	418	
219	91	113	139	165	191	276	305	336	462	
240	99	124	152	180	209	302	335	368	506	
260	108	134	165	196	228	328	364	400	551	
285	118	147	181	214	249	359	398	437	602	
309	128	160	197	233	271	390	432	474	653	
334	139	173	212	252	292	421	466	512	704	
347	143	179	220	261	303	438	485	532	733	
383	159	198	244	289	335	482	534	586	805	
407	170	211	260	307	357	513	567	623	856	
311	135	166	202	237	274	387	426	465	630	
338	146	180	219	258	298	422	465	509	691	
374	160	198	242	285	329	467	515	564	766	
407	174	215	263	310	358	509	562	615	838	
444	189	234	286	337	390	556	614	673	917	
480	203	252	308	364	421	601	664	728	994	
521	220	273	335	395	457	653	721	790	1079	
562	238	295	361	426	493	704	778	853	1165	
603	255	316	387	457	529	756	835	915	1250	
644	273	338	414	488	565	808	892	978	1336	
690	292	362	443	523	605	865	955	1047	1431	
735	311	386	472	558	645	922	1019	1117	1525	
202	88	108	132	155	178	252	278	303	411	
218	90	112	138	164	190	275	304	334	460	
242	100	125	154	182	212	305	338	372	512	
267	110	137	169	200	233	336	372	409	564	
291	120	150	184	219	254	367	407	447	616	
315	130	162	200	237	276	398	441	485	668	
344	142	177	218	258	300	434	480	528	728	
372	153	191	235	279	325	469	520	572	788	
400	165	206	253	301	349	505	559	615	848	
427	176	219	270	321	373	539	597	656	905	
456	188	234	289	343	399	576	638	702	968	
484	199	249	307	364	423	612	678	745	1028	
362	157	194	236	277	319	451	497	543	735	
394	171	211	257	301	347	490	540	590	798	
435	188	232	282	332	383	542	597	653	886	
472	203	250	306	360	415	590	650	712	967	
517	220	272	333	393	454	646	713	781	1064	
557	236	293	358	423	489	699	772	846	1155	
607	257	319	390	460	533	761	840	921	1257	
656	278	344	422	498	576	822	908	995	1359	
705	299	370	453	535	619	884	976	1070	1461	
755	320	396	485	573	663	946	1045	1146	1564	
804	341	422	517	610	706	1008	1113	1220	1666	
854	361	448	549	647	749	1070	1182	1295	1769	
239	104	128	156	183	211	298	328	359	485	
258	107	133	164	194	226	326	361	397	546	
286	118	147	182	215	250	361	400	440	606	
314	130	162	199	236	275	397	440	483	666	
342	141	176	217	257	299	432	479	527	727	
370	152	190	234	278	323	468	519	570	787	
404	166	207	256	303	353	511	566	623	860	
438	180	225	277	329	383	554	614	675	933	
472	194	242	298	354	412	597	662	728	1005	
506	208	259	320	380	442	640	709	780	1078	
540	221	277	341	405	472	683	757	833	1151	
574	235	294	363	431	501	726	805	886	1224	

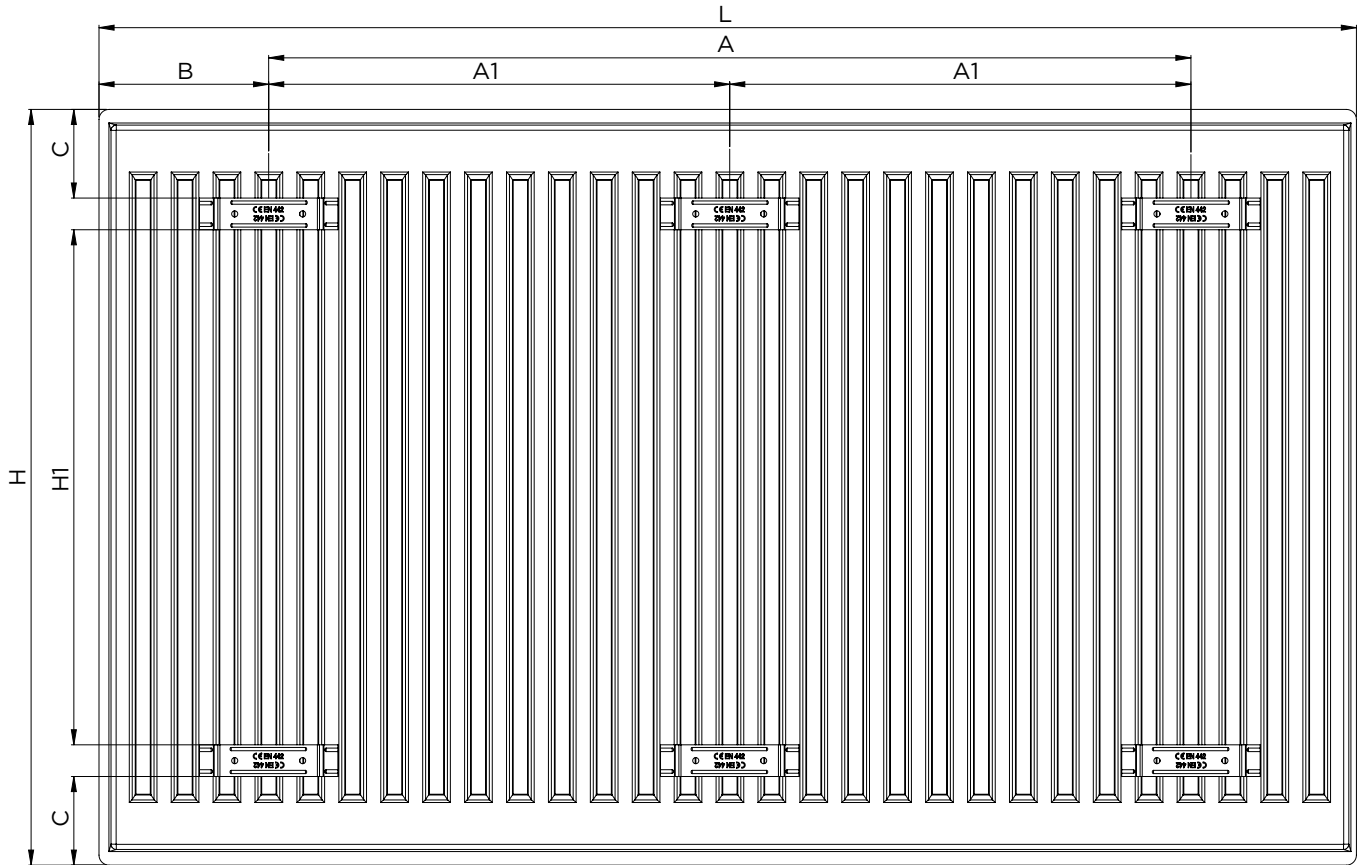


1. 30x40 D Profile
2. Ø 22 x 0,9 Pipe
3. Blind cap

Model	L	H	N	A	t	Number of Rails
T100-060-040	400	600	355	721	30	11
T100-070-040	400	700	355	806	30	13
T100-070-050	500	700	455	860	30	13
T100-070-060	600	700	555	922	30	13
T100-080-040	400	800	355	894	30	14
T100-080-050	500	800	455	943	30	14
T100-080-060	600	800	555	1000	30	14
T100-090-040	400	900	355	985	30	15
T100-090-050	500	900	455	1030	30	15
T100-090-060	600	900	555	1082	30	15
T100-100-040	400	1000	355	1077	30	16
T100-100-050	500	1000	455	1118	30	16
T100-100-060	600	1000	555	1166	30	16
T100-110-040	400	1100	355	1170	30	18
T100-110-050	500	1100	455	1208	30	18
T100-110-060	600	1100	555	1253	30	18
T100-120-040	400	1200	355	1265	30	20
T100-120-050	500	1200	455	1300	30	20
T100-120-060	600	1200	555	1342	30	20
T100-130-040	400	1300	355	1360	30	21
T100-130-050	500	1300	455	1393	30	21
T100-130-060	600	1300	555	1432	30	21
T100-140-040	400	1400	355	1456	30	22
T100-140-050	500	1400	455	1487	30	22
T100-140-060	600	1400	555	1523	30	22
T100-150-040	400	1500	355	1552	30	24
T100-150-050	500	1500	455	1581	30	24
T100-150-060	600	1500	555	1616	30	24
T100-160-040	400	1600	355	1649	30	26
T100-160-050	500	1600	455	1676	30	26
T100-160-060	600	1600	555	1709	30	26
T100-170-040	400	1700	355	1746	30	28
T100-170-050	500	1700	455	1772	30	28
T100-170-060	600	1700	555	1803	30	28
T100-180-040	400	1800	355	1844	30	30
T100-180-050	500	1800	455	1868	30	30
T100-180-060	600	1800	555	1897	30	30

Model	L	H	N	A	t	Number of Rails
T101-060-040	400	600	355	792	40	11
T101-070-040	400	700	355	806	40	13
T101-070-050	496	700	451	858	50	13
T101-070-060	596	700	551	919	60	13
T101-080-040	400	800	355	894	40	14
T101-080-050	496	800	451	941	50	14
T101-080-060	596	800	551	998	60	14
T101-090-040	400	900	355	985	40	15
T101-090-050	496	900	451	1028	50	15
T101-090-060	596	900	551	1079	60	15
T101-100-040	400	1000	355	1077	40	16
T101-100-050	496	1000	451	1116	50	16
T101-100-060	596	1000	551	1164	60	16
T101-110-040	400	1100	355	1170	40	18
T101-110-050	496	1100	451	1207	50	18
T101-110-060	596	1100	551	1251	60	18
T101-120-040	400	1200	355	1265	40	20
T101-120-050	496	1200	451	1298	50	20
T101-120-060	596	1200	551	1340	60	20
T101-130-040	400	1300	355	1360	40	21
T101-130-050	496	1300	451	1391	50	21
T101-130-060	596	1300	551	1430	60	21
T101-140-040	400	1400	355	1456	40	22
T101-140-050	496	1400	451	1485	50	22
T101-140-060	596	1400	551	1522	60	22
T101-150-040	400	1500	355	1552	40	24
T101-150-050	496	1500	451	1580	50	24
T101-150-060	596	1500	551	1614	60	24
T101-160-040	400	1600	355	1649	40	26
T101-160-050	496	1600	451	1675	50	26
T101-160-060	596	1600	551	1707	60	26
T101-170-040	400	1700	355	1746	40	28
T101-170-050	496	1700	451	1771	50	28
T101-170-060	596	1700	551	1801	60	28
T101-180-040	400	1800	355	1844	40	30

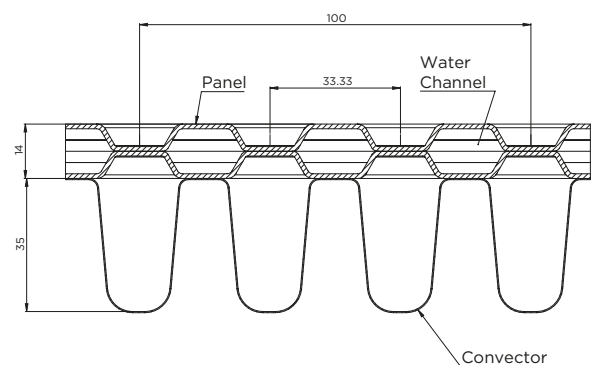
Assembly Point Dimensions



L (mm)	A (mm)	B (mm)	C (mm)	A1 (mm)	Number of Hangers
400	132	134	70		4
500	232	134	70		4
600	332	134	70		4
700	432	134	70		4
800	532	134	70		4
900	632	134	70		4
1000	732	134	70		4
1100	832	134	70		4
1200	932	134	70		4
1300	1032	134	70		4
1400	1132	134	70		4
1500	1232	134	70		4
1600	1332	134	70		4
1800		134	70	766	6
2000		134	70	866	6
2200		134	70	966	6
2400		134	70	1066	6
2600		134	70	1166	6
2800		134	70	1266	6
3000		134	70	1366	6







Radiator Height	H1 (mm)
300	110
400	210
500	310
600	410
700	510
900	710

Radiator Section Detail





Accessories

<p>Spring Console</p>	<p>Floor Connection Components</p>	<p>L Console Set</p>
		
<p>Thermostatic Valve Insert</p>	<p>Thermostatic Valve</p>	<p>Radiator Valve</p>
 <p>Brand: Danfoss Danfoss Code: 013G1382 Connection thread: G 1/2</p> <p>Integrated valve, type RA-N (013G1382), with built-in presetting are designed for incorporation into valve radiators.</p>	 <p>Brand: HEIMEIER Article No: 4360 Connection thread: G 1/2</p> <p>The thermostatic insert VHV8S with the Article No:4360 feature 8 infinitely variable presetting/ finest presetting values.</p>	
<p>Size of thermostatic adjustment element: M30 x 1.5</p>		

All descriptions and illustrations provided in this document have been carefully prepared but we reserve the right to make changes and improvements in our products which may affect the accuracy of the information contained in this leaflet. All goods are sold subject to our standard Conditions of Sale which are available on request.



Management Office

Nidakule Ataşehir Kuzey
Barbaros Mah. Begonya Sok.
No: 3 K: 19 D: 170-175
34746, Ataşehir / İstanbul / Türkiye

T +90 216 300 16 50

Factory

Taşpınar Mahallesi
TEKNOSAB 1. Cadde No: 12
16700, Karacabey / Bursa / Türkiye

T +90 224 295 94 00

F +90 224 411 23 77

United Kingdom (Subsidiary)

Unit 7, St Martins Business Centre
St Martins Way, Bedford MK42 0LF, England

T +44 207 164 6233

F +44 207 000 1336